



NILES®



CM850

8" CEILING MOUNT LOUDSPEAKER



8" Two-way Loudspeaker with Pivoting Tweeter

- 8" TCC™ (Talc, Carbon, and Ceramic-filled) Woofer
- 1" Teteron® Tweeter

SPECIFICATIONS SHEET

8 INCH DIRECTED SOUNDFIELD CEILING MOUNT LOUSPEAKER

8" Two-way Loudspeaker with Pivoting Tweeter

CM850

Stock Number

FG01480



Features

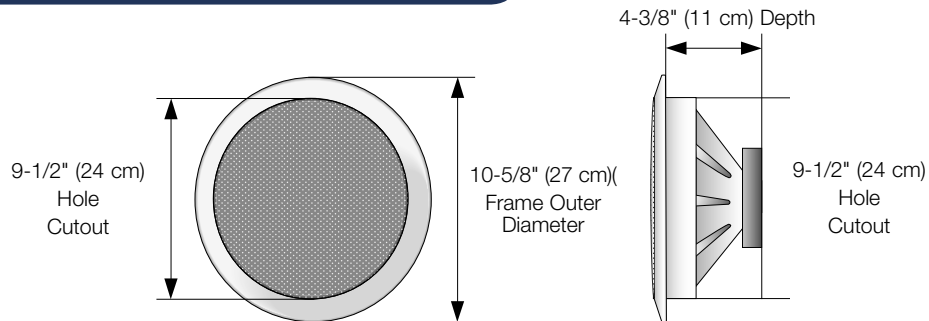
- Integrated woofer/baffle design delivers greater low frequency response by employing an 8" woofer
- Injection-molded TCC™ (talc, carbon and ceramic) filled cone is extremely rigid to reduce breakup, lower distortion and provide enhanced bass response
- Butyl rubber surround damps resonance and provides exceptional durability
- 1" fluid-cooled Teteron® dome tweeter offers enhanced dispersion and silky-smooth high frequency response
- Proprietary bridge-mounted tweeter pivot mechanism focuses the high frequency sound in any direction up to 20° without diffraction
- Includes flush-mount MicroPerf™ aluminum grille for a clean and unobtrusive look
- Weather resistant construction reduces installation limitations and provides unique solutions in moist environments like bathrooms or outdoors under eaves

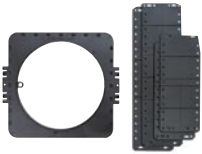



Specifications

- Frequency response: 49Hz to 21kHz +/-3dB
- Impedance: 8 ohm nominal; 6 ohm minimum
- Recommended amplifier power: 10 to 150 watts
- Frame dimensions: 10 5/8" diameter (27 cm)
- Hole cutout dimensions: 9 1/2" diameter (24 cm)
- Depth behind ceiling: 4 3/8" (11 cm)

Warranty: Lifetime Limited

PRODUCT CONSTRUCTION AND ACCESSORIES



Loudspeaker Model		Works With			
Model	Stock Number	Previous Bracket	New Bracket	Metal Enclosure	Hole Cover
CM850	FG01480	 CM8 Series Bracket Kit FG00656	 CM800 BKT FG01487	 CE 8 FG00946	 CM800 Hole Cover FG01488