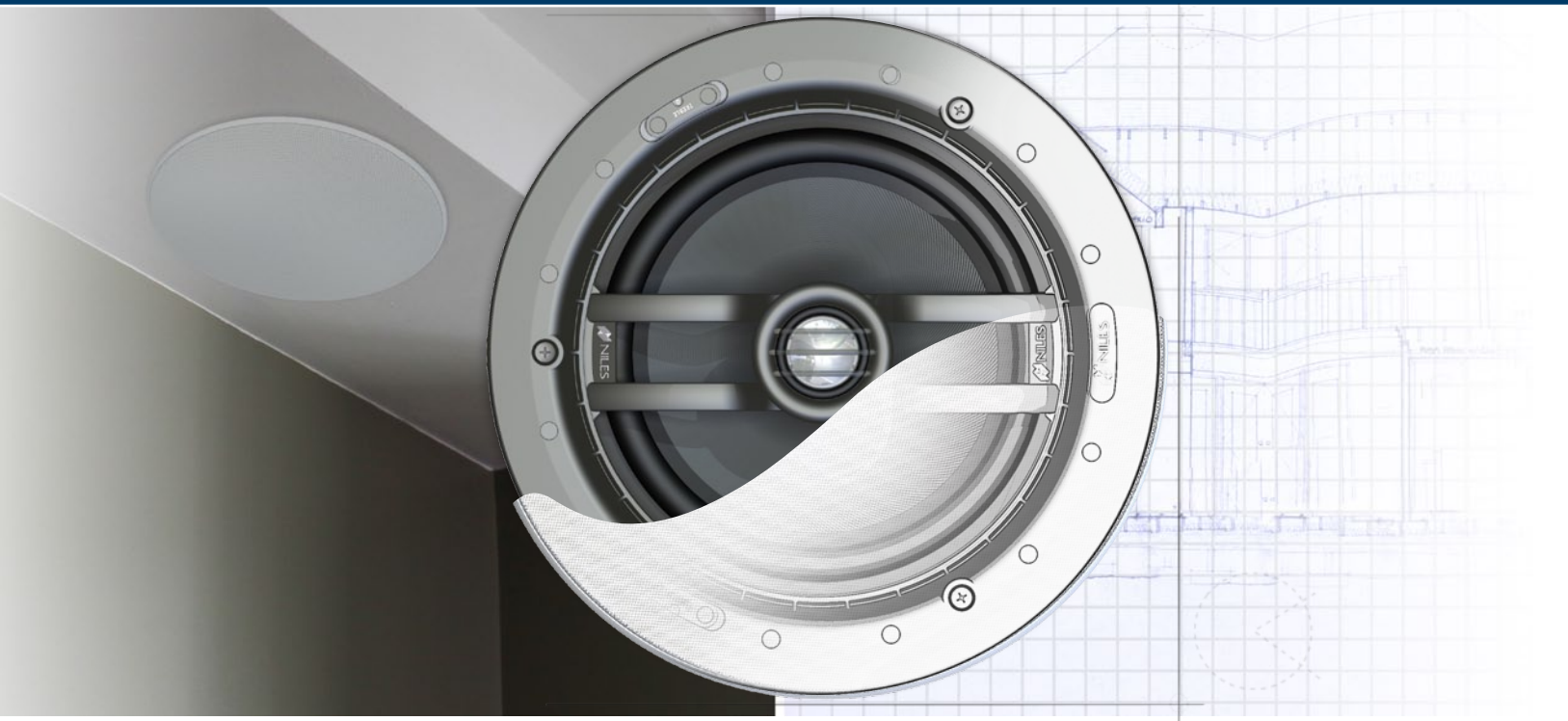




Designer Aesthetics
Audiophile Performance
Installation Ease

HIGH DEFINITION LOUDSPEAKER SPECIFICATIONS SHEET



CM8HD

8" 2-WAY LEFT/CENTER/RIGHT
CEILING-MOUNT LOUDSPEAKER



High Definition loudspeakers are optimal for advanced home theaters and primary listening rooms. 8" Interlaced glass fiber woofer cone and an advanced IMPACT™ tweeter provide the ultimate in performance and musicality.

FEATURES AND BENEFITS

- **Designer Aesthetics** Magnetically attached MicroThin™ speaker grilles ensure a clean, virtually invisible appearance that blends with the room's aesthetics. Optional square grilles provide added design flexibility.
- **Superior Sound Quality** Precision tuned and voiced fixed woofer ceiling-mount loudspeakers provide graduated performance for all types of applications. Whether you are listening to background talk radio or a complete orchestra, Niles CM series delivers optimal performance and reliability.
- **Installation Ease** Three patent-pending spring tensioned mounting clamps permit quick installation and compensate for uneven mounting surfaces and varied environmental conditions. Weather-resistant construction enables installation in moist areas, such as bathrooms or outdoors under eaves.
- **Install With Confidence** The best-built loudspeakers deserve the best protection—the Niles Lifetime Limited Warranty.

2-WAY CEILING-MOUNT LOUDSPEAKERS

CM8HD



8" 2-Way Left/Center/Right High Definition Ceiling-Mount Loudspeaker

For advanced home theaters and primary listening rooms



Packaged Individually with Round MicroThin™ Grille

Stock Number
FG01663

RELATED PRODUCTS	
	SG8C 8" Square Loudspeaker Grille Stock Number: FG01646
	NCB8C 8" New Construction Bracket Stock Number: FG01648

FEATURES

- 8" IMPACT (Improved Aluminum Ceramic Technology) woofer cone with curvilinear profile and extended pole provides natural, flat response
- 1" nano-coated IMPACT dome tweeter utilizes a vapor deposited coating to move any ringing frequencies outside the range of hearing for ultra-detailed high frequencies
- Butyl rubber surround damps resonance and provides exceptional durability
- Proprietary bridge-mounted tweeter pivot mechanism focuses the high frequency sound in any direction up to 20° without diffraction
- Three-position tweeter level control for precise matching to room acoustics
- Magnetically attached, rust-resistant grille covers install quickly and provide a low profile look
- Weather resistant construction reduces installation limitations and provides unique solutions in moist environments like bathrooms or outdoors under eaves
- Patent-pending spring tensioned mounting clamps permit quick installation and compensate for uneven mounting surfaces and varied environmental conditions

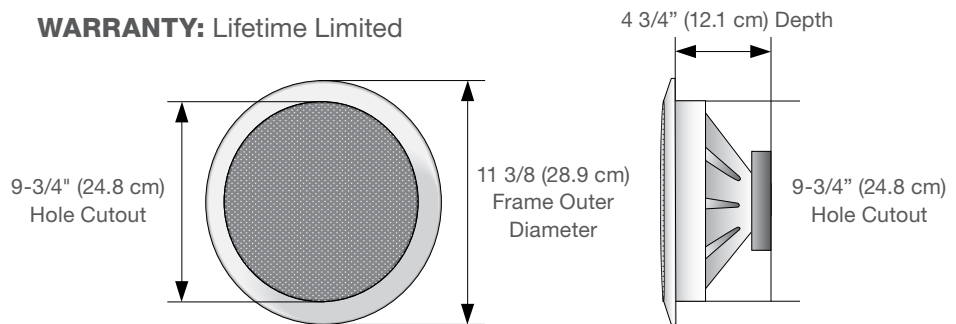
SPECIFICATIONS

- Frequency Response: 48Hz to 21kHz +/-3dB
- Impedance: 8 ohm nominal; 6 ohm minimum
- Recommended Amplifier Power: 10 to 160 Watts

DIMENSIONS

- Frame Dimensions: 11 3/8 inches (28.9 cm)
- Hole cutout dimensions: 9 3/4 inches (24.8 cm)
- Depth behind ceiling (5/8" drywall): 4 1/8" (10.5 cm)
- Shipping Weight: 6.7 lbs (3 kg)

WARRANTY: Lifetime Limited



BLENDING HIGH FIDELITY AND ARCHITECTURE®



1-800-BUY-HIFI - www.nilesaudio.com

©2011 The AVC Group, LLC. All Rights Reserved. Niles, the Niles logo and Blending High Fidelity and Architecture are registered trademarks of The AVC Group, LLC. MicroThin is a trademark of The AVC Group, LLC. All other trademarks are the property of their respective owners. We reserve the right to change features, descriptions, and/or specifications at any time without notice. CS0327A