

MRX CURTAIN TRACK

→ INTRODUCTION

>To answer the growing demand for an affordable medium duty motorised tracking system for commercial and residential curtains, **REFLEX™ SHADING SYSTEMS** has introduced the **MODO™ RX** curtain system to offer the very best solution to this demand.

The versatility of this system is almost limitless in applications from small residential lightweight sheer curtains to home theatre curtain systems.

The track can be formed to tight 350mm radii bends and is curvable to suit almost any configuration. The system incorporates the simplest of installation techniques and the motors are extremely quiet & reliable. The travel of curtains along the track is limited by a micro controller within the **MODO™ RX** motor, with infinite adjustability with the most basic equipment. The **MODO™ RX CURTAIN TRACK SYSTEM** is the simplest and most affordable automatic curtain tracking system available.

Combined with the vast range of **MODO™ RX** control systems from simple wall switches to remote controls, bus line systems and computer interfacing, **MODO™ RX** is the answer to your curtain automation demands.

APPLICATION

>The application will determine the configuration of the motor and direction of draw of the curtain. The draw configuration can be from right to left, left to right, draw to the centre or from the centre to the ends. Drawing of more than one curtain in the same direction on the same track can be achieved as well.

The arrangement of carriers and lead plate cater for most types of curtain tapes and headings and due to the very narrow profile of the track the curtain can be fitted below or in front of the track (below is recommended). Attach points are supplied for the fixed ends of the curtain where necessary.

Also available in the **MODO™ RX** system is the contemporary 'S' fold curtain treatment where all curves and folds in the curtain are regular and even. This delivers a more sleek and uniform appearance to the hanging of the curtain (Uniformity of pleats / folds over total drop is fabric dependant).

SPECIFICATIONS

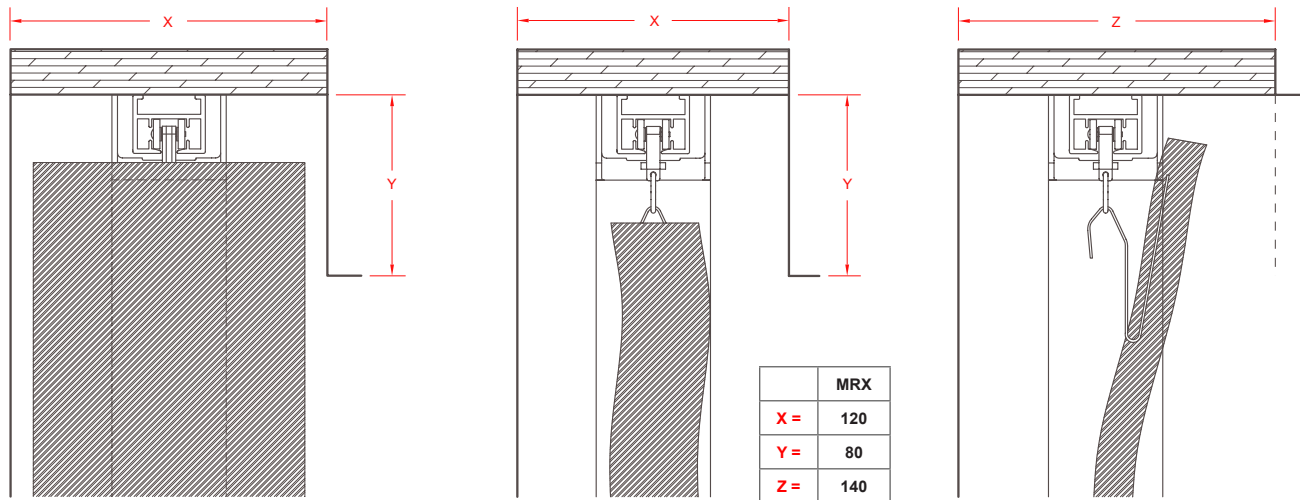
>The track system is comprised of extruded aluminium alloy track 32 mm wide and 26 mm high. The single screw fixing "cam clamps" are designed to twist and lock into a groove in the top face of the track and can be positioned anywhere along the length. These cam clamps are fixed to the substrate in the desired position with screws.

Within the track, are nylon roller carriers along with the lead carrier plate which is fixed to the internal soft toothed drive belt. The curtain shall be suspended on the roller carriers spaced at approximately 100 mm when fully drawn with the first two curtain hooks fixed on the lead carrier plate for positive positioning.

The motor is a vertical axis, DC, asynchronous, 240 / 24 volt motor producing 1.2nM of power. Incorporated in the motor is a heavy duty, final drive, planetary, reduction gearbox. Easy "bayonet" pin motor fitting allows simple removal of the motor for servicing. The curtain travel is limited in both directions by the intergrated limit switches positioned within the motor. The motors are supplied with a 1 metre, two core lead (double insulated) with quickly detachable connector in the motor for ease of service.

Minimum Width	=	500 mm
Maximum Width	=	6,000 mm (more with 'joined' tracks)
Max Load	=	50 Kgs (Total)
Speed	=	100mm / second

MRX CURTAIN TRACK

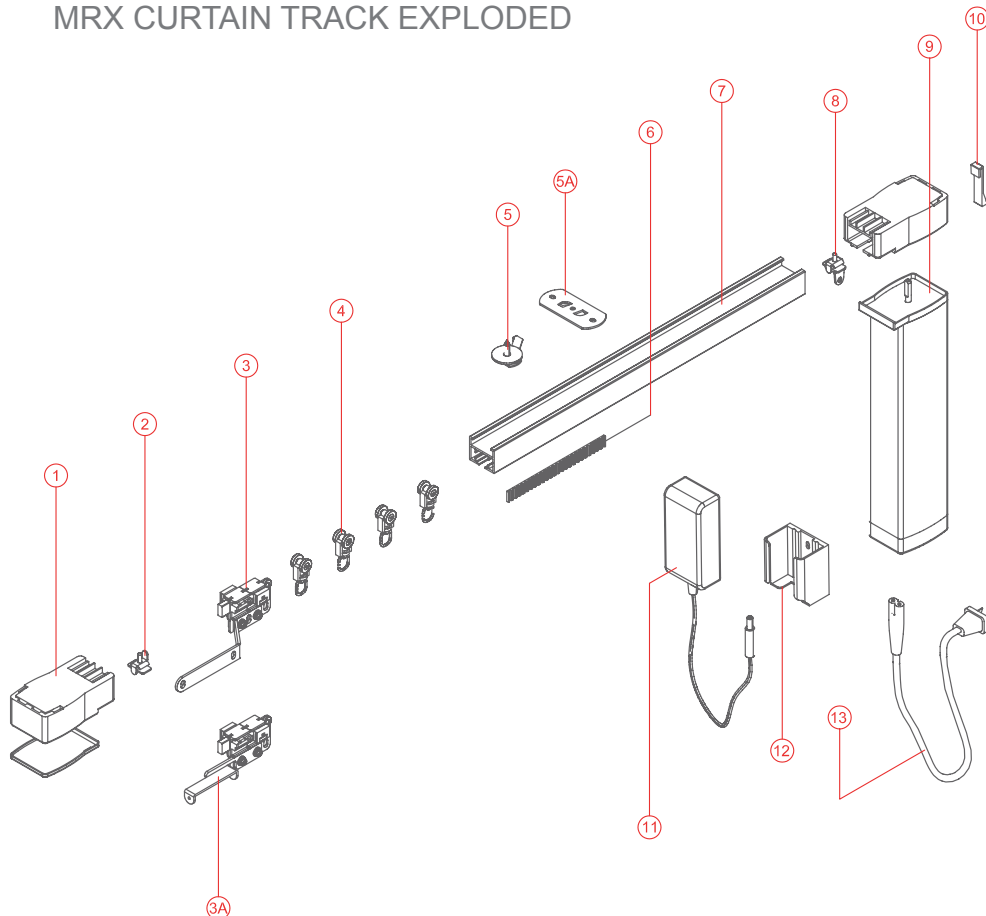


TOP FIX ARRANGEMENT
(‘S’ FOLD TREATMENT)

TOP FIX ARRANGEMENT
(CURTAIN BELOW TRACK)

TOP FIX ARRANGEMENT
(CURTAIN IN FRONT OF TRACK)

MRX CURTAIN TRACK EXPLODED



ITEM	DESCRIPTION
1.	MRX TRACK END
2.	STOPPER
3.	LEAD CARRIER (STANDARD)
3B	LEAD CARRIER (‘S’ FOLD)
4.	ROLLER CARRIERS
5.	TRACK BRACKET (1 SCREW)
5A	TRACK BRACKET (2 SCREWS)
6.	DRIVE BELT (TOOTHED)
7.	MRX TRACK
8.	FIXED CARRIER
9.	MRX CURTAIN MOTOR
10.	RETURN CURTAIN HANGER
11.	TRANSFORMER
12.	CRADLE
13.	MOTOR LEAD (TO 240 VOLT)