

# GH-XP

## Stand-alone Prox Reader for GH System

### -INSTRUCTIONS-

The GH-XP module contains a stand-alone proximity card reader with embedded host controller. Capable of storing up to 5,000 sets of credentials (cards) and operating completely independent of an external host controller or PC, the GH-XP is ideal for all installations where reliable, cost-effective, and easy-to-manage access control is desired. The GF-VP panel is required when using the GH-XP.

**Note:** Programming of the GH-XP requires Aiphone's XP-KIT Programming Starter Kit. Only information pertaining to the wiring of the GH-XP card reader is shown in this manual. For programming information, consult the -XP Series Programming & Operation Manual (included in the XP-KIT Programming Starter Kit). For GH series intercom configuration / connection information, consult the GH series Installation and Operation Manual.

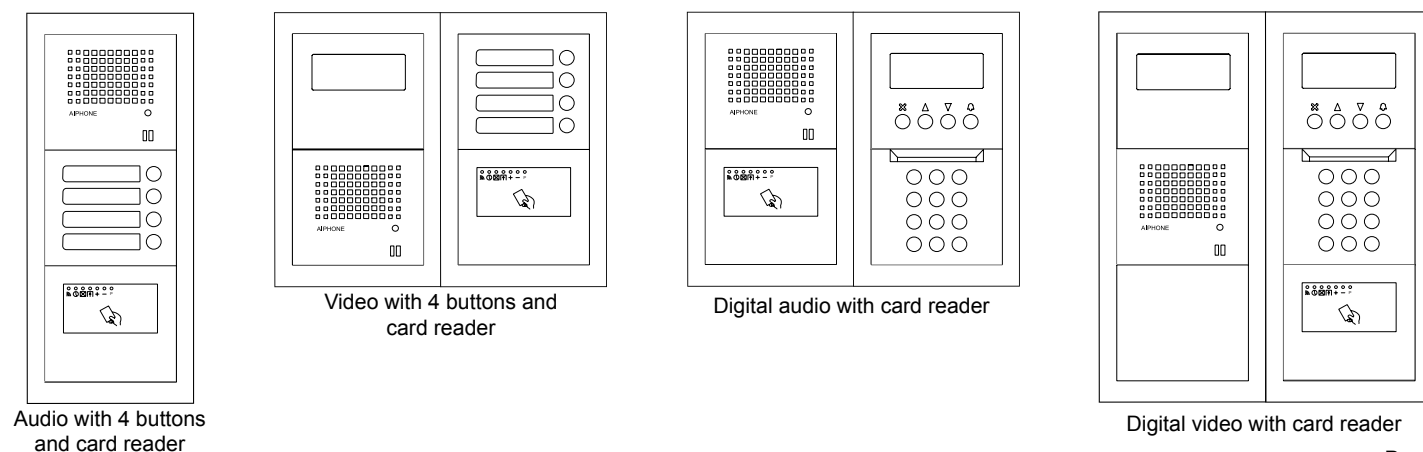
## 1 INSTALLATION & LAYOUTS



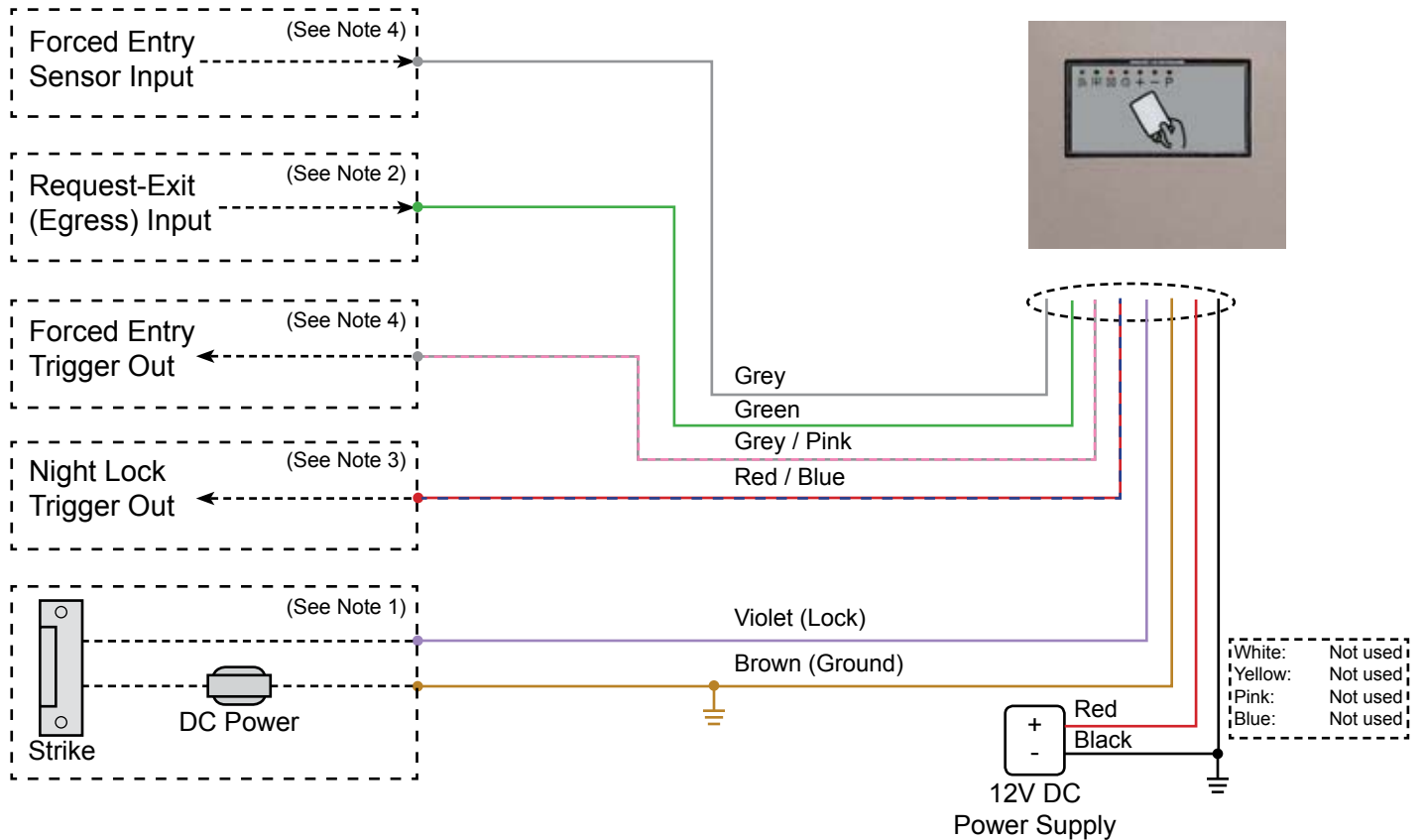
### INSTALLATION:

1. Install the GH-XP card reader into the GH entrance panel. (Install in a lower position for ease of access).
2. The GF-VP panel is required when using the GH-XP. The GF-VP will snap into the GF-2F or GF-3F frame.
3. Secure wire connections based on features needed as shown on wiring diagram on page 2.
4. Cut any unused wire so that bare wires are not exposed.
5. Refer to standard GH Installation Manual for complete system information.

### TYPICAL LAYOUTS:



## 2 WIRING



### NOTES:

1. The 'Lock' output (Violet wire) is a normally-open solid-state contact rated at 30VDC / 1A. Only DC-powered locks can be connected directly to the reader. Locks requiring AC power, higher contact rating, or Normally-Closed functionality should use an external 12VDC relay (Aiphone RY-18L or equivalent). Release duration is determined by the reader's programming configuration (see the -XP Series Programming & Operation Manual).
2. The 'Request-Exit' input is used when triggering the reader's internal contact output from an external contact source is desired (motion detector, egress button, intercom relay output, etc.) An input closure should be connected across the Green wire and Ground (Brown wire). Unlock events triggered by this input are also subject to the reader's release duration (see the -XP Series Programming & Operation Manual). Connect the ELM and ELC terminals from the GH-DA/A to this input.
3. When the Night Lock mode is active, a trigger will be provided across the 'Night Lock Trigger Output' (Red / Blue wire) and Ground (Brown wire). This can be used to integrate with external alarm systems for improved functionality.
4. The 'Forced Entry Sensor Input' (Grey wire) is designed to be connected to the Ground (Brown wire) in series with a magnetic door sensor (or equivalent normally-closed device) to allow the system to determine when the door has been either forced, or left open after an unlock event. When this sensor input is active, an output trigger will be provided across the 'Forced Entry Trigger Out' (Grey / Pink wire) and Ground (Brown wire), for connection to an alarm system event input, sounder, or other desired device.
5. All device outputs (with the exception of the Violet 'Lock' output) provide a low current trigger output, and should not be used to drive anything greater than another device's trigger input without an appropriate relay. All device inputs require only a contact closure across the respective wire and Ground (Brown wire).
6. The White, Yellow, Pink, and Blue wires are not used and should be trimmed to avoid possible shorting and system malfunction.

# 3 FEATURES & SPECIFICATIONS

---

## FEATURES:

- Up to 5,000 credential storage (cards)
- Stand-alone configuration without central 'Host' or personal computer
- Night Lock function with contact output for controlling after hours access and alarm system mode
- Forced Entry alarm output for triggering external sounder or alarm system
- Optional handheld Remote Programmer for advanced functionality

## ACCESSORIES:

- XC4/9 Blank User Card (Qty 1)
- XRP3 Handheld Remote Programmer
- XP-KIT Programming Starter Kit.
  - contains:
    - XRP3 - Qty (1)
    - XC4/9 - Qty (10)
    - XMMC3/9 - Qty (1)

*Note: The XP-KIT is **required** for programming of the GH-XP. Only information pertaining to the wiring of the GH-XP card reader is shown in this manual. For programming information, consult the -XP Series Programming & Operation Manual (included in the XP-KIT Programming Starter Kit). For GH series intercom configuration / connection information, consult the GH series Installation and Operation Manual.*

## PROGRAMMING:

See programming instructions included with the required XP-KIT Programming Starter Kit (sold separately).

*Note: Do not attempt to program or use the GH-XP unit without first reading the initialization instructions included with the XP-KIT Programming Starter Kit!*

## SPECIFICATIONS:

Power Source:	12V DC
Current Requirements:	40mA (Avg)
Contact Rating:	Normally Open solid-state 30VDC 1Amp
Request to Exit:	Normally Open dry. Motion detector, egress button, etc.
Terminations:	Color-coded pre-wire pigtail
Operating Temperature:	-10°~60°C / 14°~140°F
Operating Humidity:	0-95% relative humidity non-condensing

Aiphone Communication Systems  
1700 130th AVE N.E.  
Bellevue, WA 98005  
(425) 455-0510  
Fax (425) 455-0071

**TOLL FREE TECHNICAL SUPPORT:**  
(800) 692-0200  
E-MAIL: tech@aiphone.com

