

## Load Bypass Device

### Introduction

The Diginet Load Bypass Device is designed to provide improved dimming performance of some LED's and CFL's when used in conjunction with Diginet 2-wire dimmer/timer/switch products. The device overcomes the following issues seen when controlling some LED or CFL light sources:

- When switched off, the LED/CFL lights flicker, pulse on/off or do not switch off completely
- When switching on, the LED/CFL lights have difficulty turning on and the dimmer indicators flicker or pulse

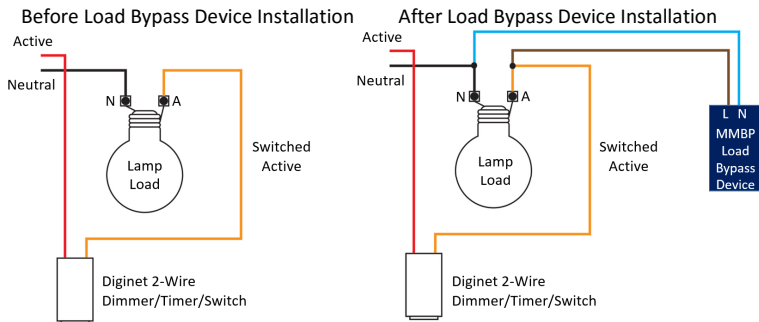


**This product must be installed by a suitably qualified installer in accordance with standard safety procedures for mains-powered electrical equipment.**

For more detailed information on the use of this product please see the datasheet on the Diginet web site. [www.diginet.net.au](http://www.diginet.net.au)

### Installation

The Load Bypass Device is installed in parallel with the load, across the switched Active and Neutral, as shown in the diagram below.



## Specifications

Operating Voltage	220-240Vac 50Hz
Power Dissipation	100mW (Note: The device power dissipation is independent of the connected lighting load power)
Max Ambient Temperature	$t_{a\max} = 70^{\circ}\text{C}$
Operating Humidity	10% - 95% RH, non-condensing
Standards Compliance	AS/NZS CISPR15:2011 AS/NZS 61347-2-11:2003 IEC 61347-2-11
Dimensions	49mm x 15mm x 11mm
Connection Lead Type	Two core, double insulated, crimped ends Switched Active and Neutral connections
Connection Lead Length	300mm

© Copyright Gerard Lighting Pty Ltd

The identified trademarks and copyrights are the property of Gerard Lighting Pty Ltd unless otherwise noted.

Printed on recycled paper



**DIGINET.NET.AU**

Product of Gerard Lighting Pty Ltd

ABN – 89 095 788 864

96-112 Gow Street

Padstow NSW 2211

Dignet is a brand of Gerard Lighting Pty Ltd

### Contact



General Enquiries: 1300 95 DALI (3254) or [sales@dignet.net.au](mailto:sales@dignet.net.au)

Technical Services: 1300 95 3244 or [support@dignet.net.au](mailto:support@dignet.net.au)

Fax: 1300 95 3257