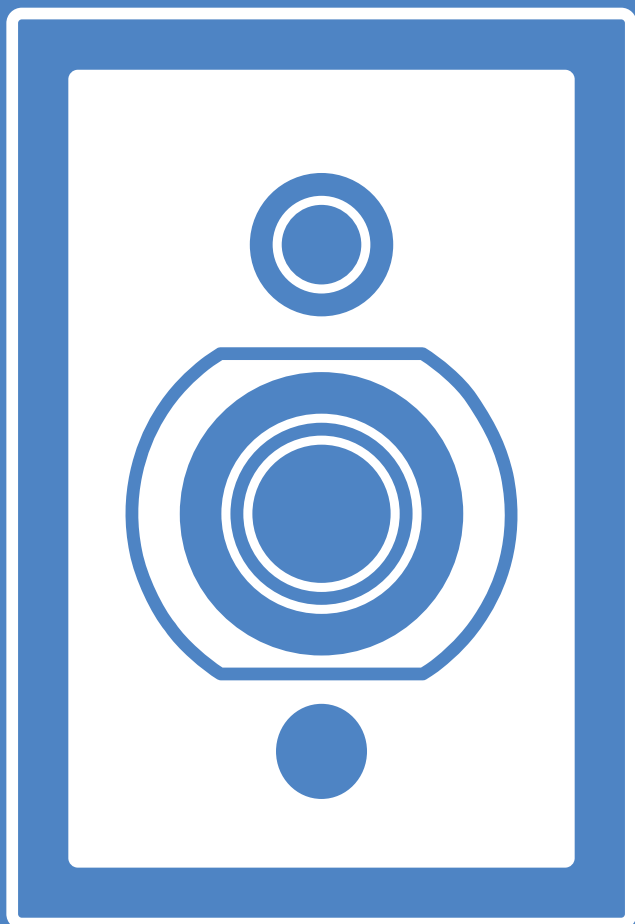


# Installation Guide

## Ecliptix



## Congratulations on choosing Krix

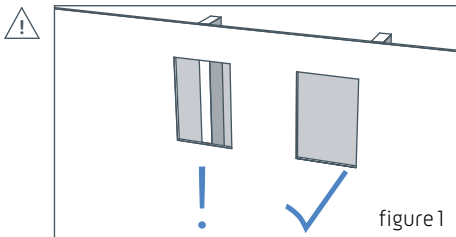
Your Krix speakers are designed to reproduce the highest quality sound. To get the best performance from your speakers please read these installation instructions thoroughly as there are many factors that influence the performance of your speakers. If you have any difficulties please speak with one of our friendly authorised Krix dealers.

# installation

## before you begin

⚠ **Please read the disclaimer** on the back of this manual.

- After discussion with your local Krix distributor, or installation consultant, to determine the best location for your loudspeakers. Check for any obstructions, such as electrical wiring, plumbing, stud work or air conditioning ducts before commencing the installation. (figure 1)



- Also ensure that there is enough ceiling/wall space to accommodate the speaker enclosure.

## connecting

To ensure optimum performance it is important that your speaker system is connected properly:

⚠ **Turn off all electronic equipment** and disconnect from the power point.

- Follow the connection instructions supplied with your amplifier, CD/DVD, hard disk recorder, video player etc.
- Install speaker cable in wall or ceiling cavity, or run cable along wall surface. Allow approximately 300mm of excess cable to facilitate loudspeaker installation.
- Follow the connection instructions supplied with your amplifier to connect the speaker cables to amplifier. Take care to assign the same cable colour or trace to the positive (+) connector on the amplifier as the positive (+) connector on the speaker.
- Prepare speaker cables for connecting to speakers by neatly stripping cable ends.

⚠ Care should be taken to **eliminate loose strands of wire** that may be present a short circuit hazard.

## installation

- Once the correct position for the speakers has been determined, use the paper template marked 'ecliptix template' to trace the required cut-out onto the ceiling/wall. (figure 2)
- Use a fine gyprock saw to cut around the inside of the traced line. (figure 3)
- Remove the offcut and insert the speaker to check the hole size is correct. Enlarge the cut-out if required.
- Pull the stripped speaker cable through the ceiling/wall opening. Push and hold down the positive (+) red binding post on the speaker and insert the positive (+) wire through hole in post. Take care to assign the same cable colour or trace to the positive (+) connector on the amplifier, as the positive (+) connector on the speaker. Repeat connection process with the negative (-) black binding post and the negative (-) wire. (Figure 4)
- Ensure all mounting clamps are swung back against the speaker enclosure (Figure 4), so that the speaker can be easily inserted into the ceiling cut-out. Once the speaker has been located in the ceiling/wall, use a Philips head screwdriver to tighten all mounting screws. As the screws are tightened, the mounting clamps will automatically swing out over the gyprock and clamp the speaker in place. Be careful not to over tighten screws, as this may strip the clamp, or crush the gyprock surface. (Figure 5)
- The Ecliptix features a pivoting tweeter which allows the high frequency sound to be directed as desired, depending on your environment and preference. Gently press on the round outer edge of the tweeter frame to tilt the tweeter to the desired position. Be careful not touch the tweeter dome, as this may damage to the tweeter. (Figure 6)
- If the grille does not required painting gently fit the metal grille to the front of the speaker housing. (Figure 7)

# installation

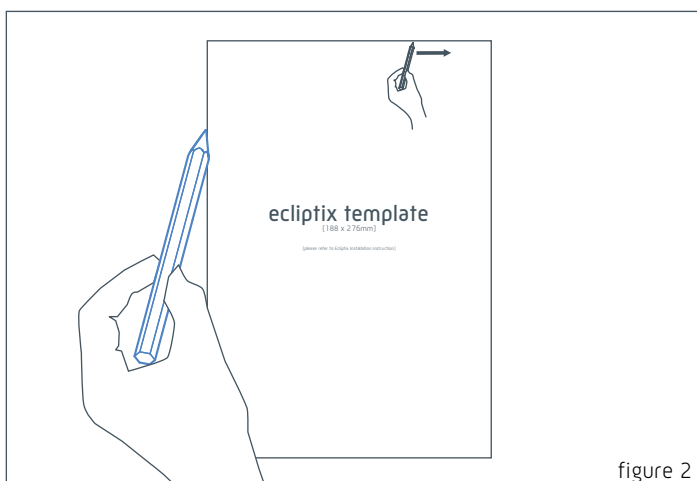


figure 2

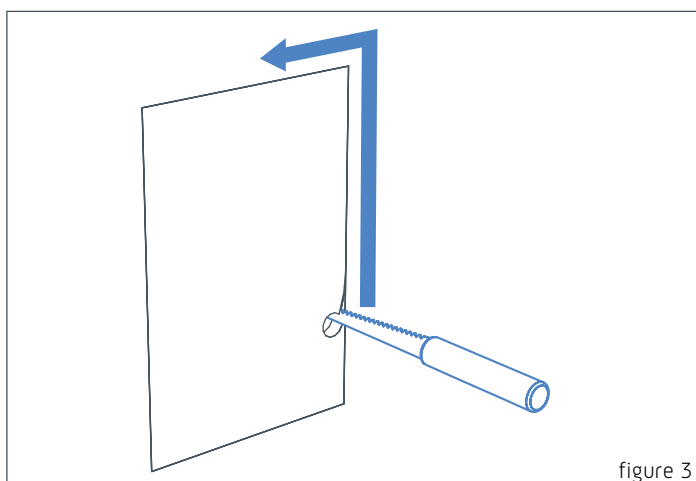


figure 3

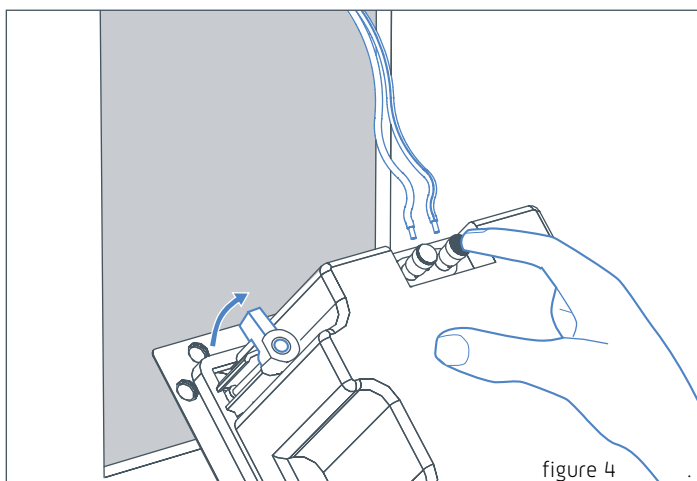


figure 4

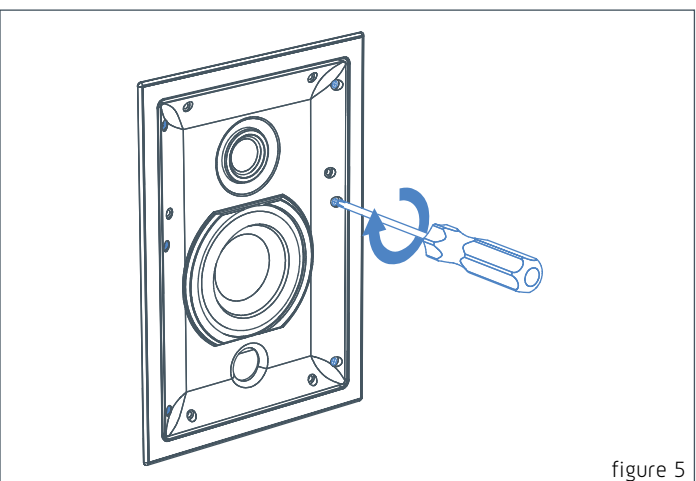


figure 5

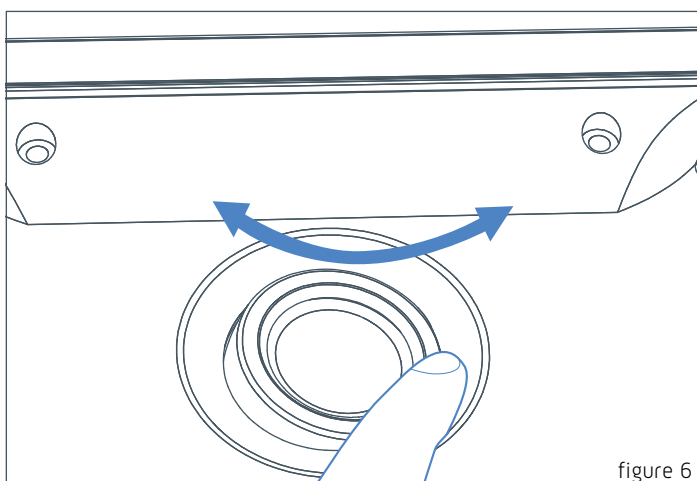


figure 6

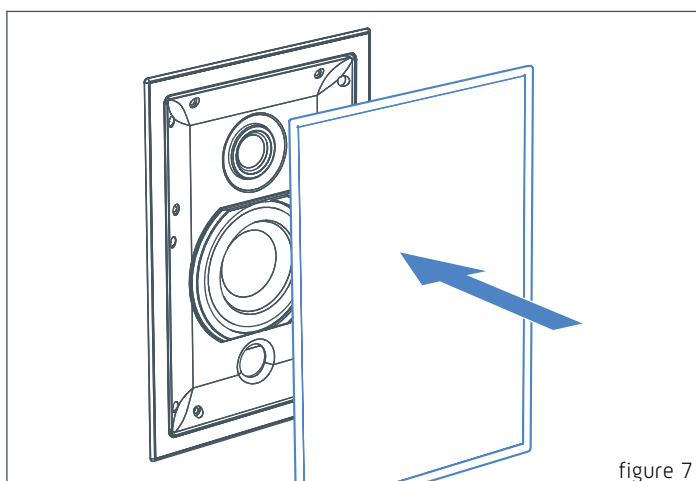


figure 7



Krix Loudspeakers Pty Ltd  
14 Chapman Road  
Hackham SA 5163  
Australia

T 61 8 8384 3433  
F 61 8 8384 3419  
listen@krix.com

Rev #10004

krix.com



#### Disclaimer

Cutting or drilling into anything can be dangerous. You should make sure you know what is behind or inside the surface that you are cutting into before you start to cut. For example, you might strike an electrical cable.

If you do not feel entirely confident about installing this product, contact a professional installer.

#### Disclaimer

To the extent permissible by law:

All warranties, conditions, representations, promises and statements relating howsoever to this product whether express or implied and whether in contract or tort are excluded to the extent permitted by law; and

Our liability to you under a condition or warranty (if any) implied into this sale and purchase agreement relating to this product by the Trade Practices Act 1974 (as amended) or any other law (whether a law of Australia or any other country) other than a condition implied by Section 69 of the said Act is limited at our option to:

- the replacement of the product; or
- the supply of an equivalent product; or
- the repair of the product.

If you do not accept the above conditions, return this product (in the original packaging) with proof of purchase for a full refund.