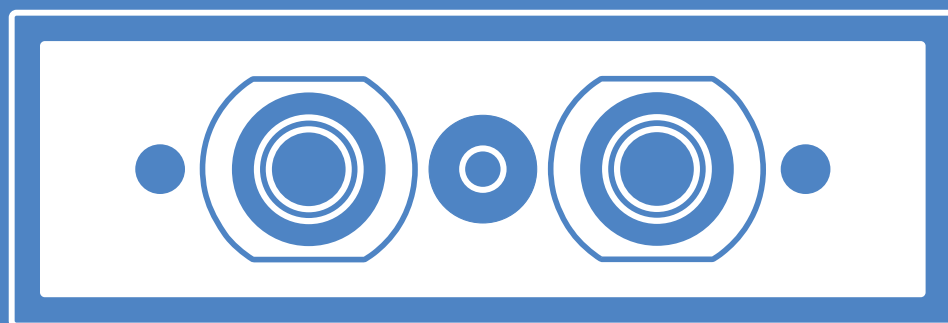
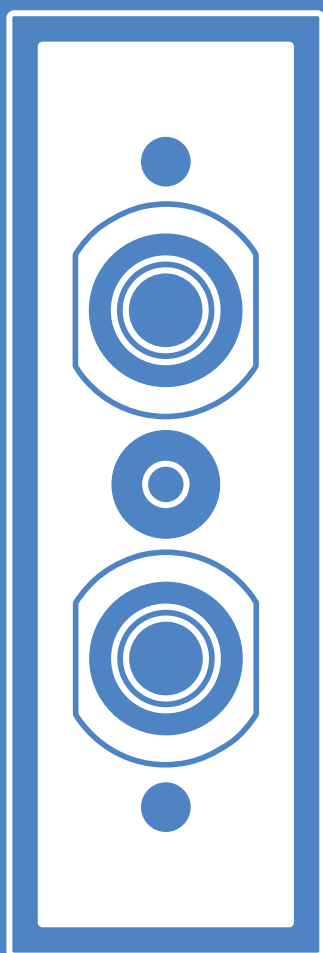


Installation Guide

Symmetrix



Congratulations on choosing Krix

Your Krix speakers are designed to reproduce the highest quality sound. To get the best performance from your speakers please read these installation instructions thoroughly as there are many factors that influence the performance of your speakers. If you have any difficulties please speak with one of our friendly authorised Krix dealers.

installation

positioning

left and right speakers

When positioning your left and right speakers try to choose the best compromise between the suggestions below to suit your listening preferences and room.

a. The widest stereo separation is achieved when the left and right speakers form an equilateral triangle with the primary listening position. In this setup small movements from the primary listening position can create large shifts in the central stereo 'image'. (figure 2a)

b. If the speaker spacing is reduced to 2/3 the distance from the primary listening position the central stereo 'image' will become more homogeneous but also more monophonic. This setup will create a larger 'sweetspot' that can be enjoyed by more listeners. (figure 2b)

c. A good balance between the above suggestions can often be found with an 'equal legged T' arrangement. (figure 2c)

centre channel speaker

Position the centre channel speaker above or below your screen. To help anchor the dialogue to the screen, keep the centre speaker as close to the screen as possible, at approximately seated ear level. (figure 3)

Note: If using an acoustically transparent projector screen the left, center and right speakers can be mounted vertically behind the screen to create a consistent soundstage.

rear speaker

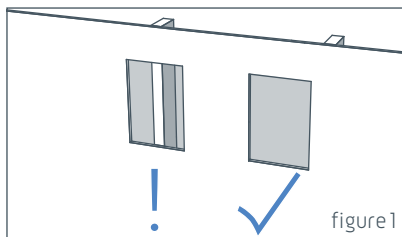
Rear speakers should be placed to each side and/or behind the listening position. Exact positioning will be dependent on your room layout and the number of surround/rear speakers in your system (e.g. 5.1, 6.1, 7.1 and beyond). Refer to your receiver/amplifier manual or ask your Krix dealer for more recommendations.

before you begin



Please read the disclaimer on the back of this manual.

- After the best location for your loudspeakers has been determined check for any obstructions, such as electrical wiring, plumbing, stud work or air conditioning ducts before commencing the installation. (figure 1)



- Also ensure that there is enough wall/ceiling space to accommodate the speaker enclosure.

connecting

To ensure optimum performance it is important that your speaker system is connected properly:



Turn off all electronic equipment and disconnect from the power point.

- Follow the connection instructions supplied with your AV receiver, amplifier, CD/DVD, hard disk recorder, etc.
- Install speaker cable in wall or ceiling cavity. Allow approximately 300mm of excess cable to facilitate loudspeaker installation.
- Follow the connection instructions supplied with your amplifier to connect the speaker cables to amplifier. Take care to assign the same cable colour or trace to the positive (+) connector on the amplifier as the positive (+) connector on the speaker.
- Prepare speaker cables for connecting to speakers by neatly stripping cable ends.



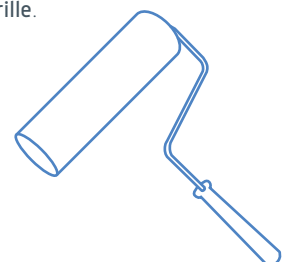
Care should be taken to **eliminate loose strands of wire** that may be present a short circuit hazard.

installation

- Use the paper template marked 'symmetrix template' to trace the required cut-out onto the wall/ceiling. (figure 4)
- Use a fine plasterboard (Gyprock) saw to cut around the traced line. (figure 5)
- Remove the offcut and insert the speaker to check the hole size is correct. Enlarge the cut-out if required.
- Pull the stripped speaker cable through the wall/ceiling opening. Push and hold down the positive (+) red binding post on the speaker and insert the positive (+) wire through hole in post. Take care to assign the same cable colour or trace to the positive (+) connector on the amplifier as the positive (+) connector on the speaker. Repeat connection process with the negative (-) black binding post and the negative (-) wire. (Figure 6)
- Ensure all mounting clamps are rotated back against the speaker enclosure (Figure 6), so that the speaker can be easily inserted into the wall cut-out. Once the speaker has been located in the ceiling/wall, use a Phillips head screwdriver to tighten all mounting screws. As the screws are tightened, the mounting clamps will automatically swing out over the plasterboard and clamp the speaker in place. Be careful not to over tighten screws, as this may strip the clamp, or crush the plasterboard surface. (Figure 7)
- If the grille does not require painting, gently fit the metal grille to the front of the speaker housing. (Figure 8)



If the grille requires painting, **use a small foam roller with a light coverage of thin paint to avoid blocking the holes in the grille.**



installation

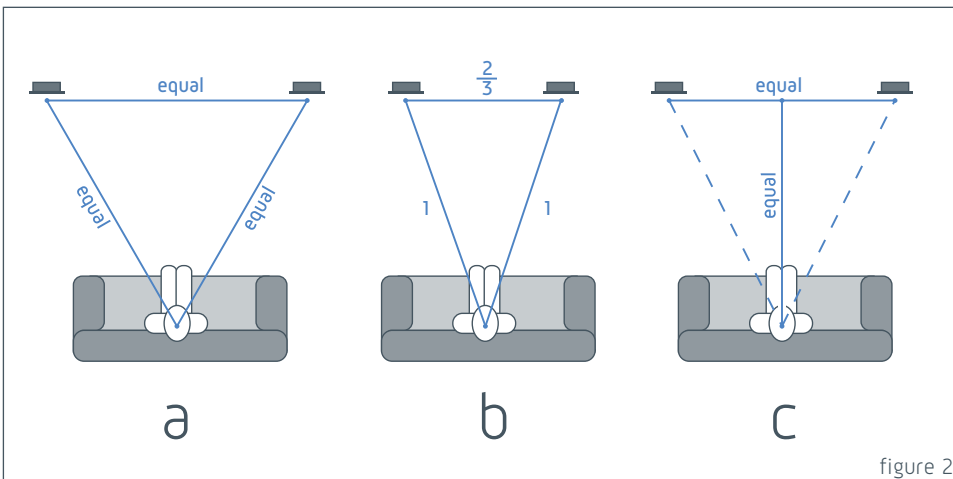


figure 2

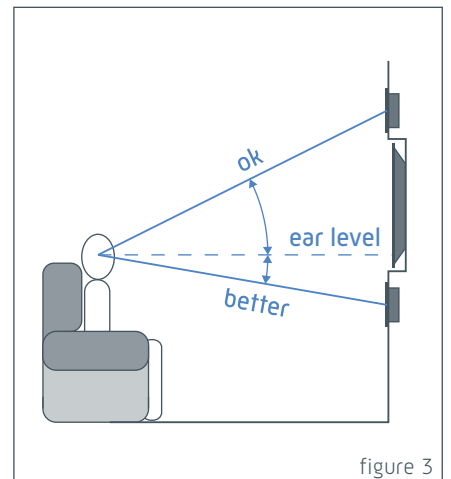


figure 3

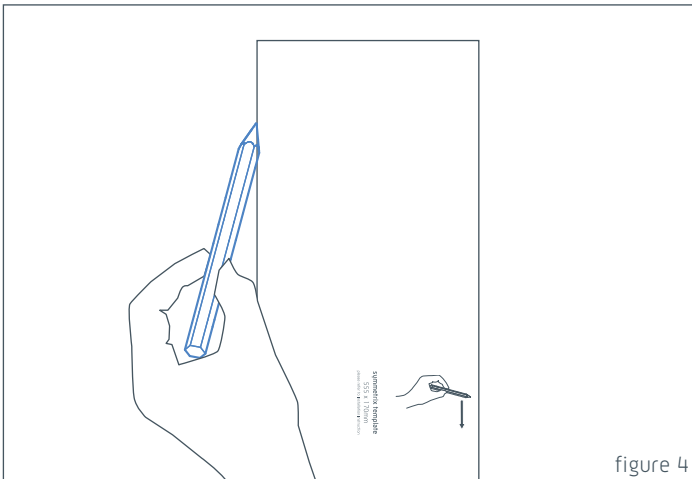


figure 4

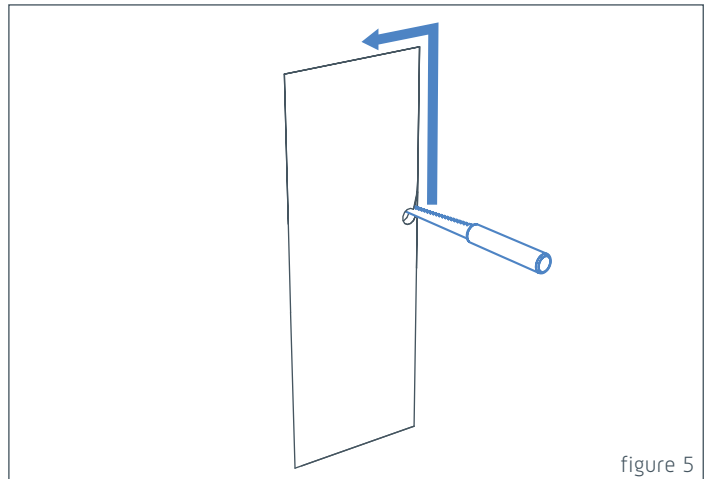


figure 5

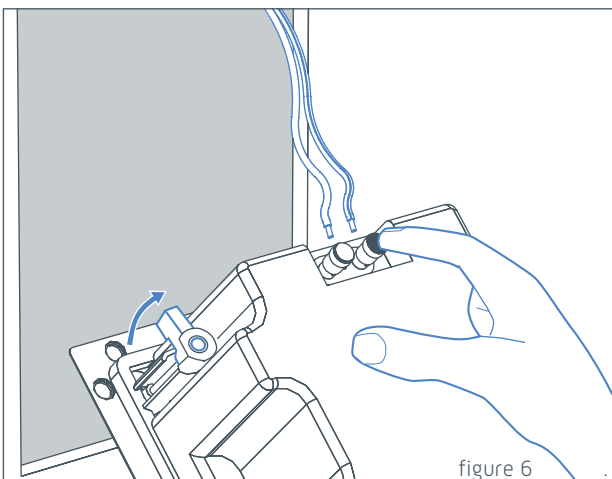


figure 6

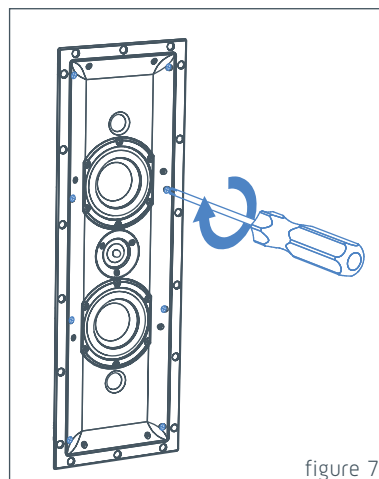


figure 7

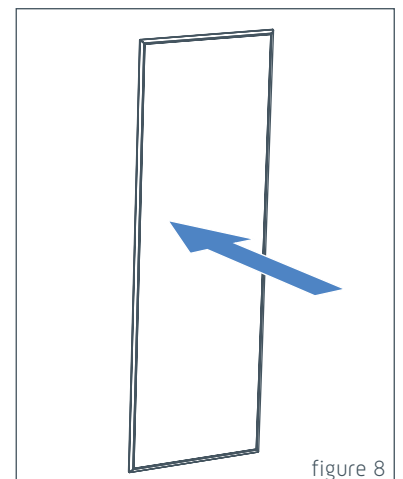


figure 8



Krix Loudspeakers Pty Ltd
14 Chapman Road
Hackham SA 5163
Australia

T 61 8 8384 3433
F 61 8 8384 3419
listen@krix.com

Rev #10002

krix.com



Disclaimer

Cutting or drilling into anything can be dangerous. You should make sure you know what is behind or inside the surface that you are cutting into before you start to cut. For example, you might strike an electrical cable.

If you do not feel entirely confident about installing this product, contact a professional installer.

Disclaimer

To the extent permissible by law:

All warranties, conditions, representations, promises and statements relating howsoever to this product whether express or implied and whether in contract or tort are excluded to the extent permitted by law; and

Our liability to you under a condition or warranty (if any) implied into this sale and purchase agreement relating to this product by the Trade Practices Act 1974 (as amended) or any other law (whether a law of Australia or any other country) other than a condition implied by Section 69 of the said Act is limited at our option to:

- the replacement of the product; or
- the supply of an equivalent product; or
- the repair of the product.

If you do not accept the above conditions, return this product (in the original packaging) with proof of purchase for a full refund.