



## Universal 6MP Dome Camera for Ceiling, Wall and Pole Mounting

MOBOTIX 6MP camera for use in indoor and outdoor applications. Can be used as day or night variant with lenses MX-B036 to MX-B237. Can be extended flexibly using various mounting sets. Optional Vandalism Kit for surveillance at extremely critical locations.

- Weatherproof Dome camera for wall or ceiling mounting
- As day and night variant (6MP color or B/W sensor)
- Mx6 system platform with H.264 support
- Broad range of system accessories available
- Recording on internal MicroSD card (SDXC, SDHC installed)
- Sensor for temperature and shock detector(\*) integrated

More information:  
[www.mobotix.com](http://www.mobotix.com) > Products > Outdoor Cameras > D26

\*: with firmware version 5.0.1 and higher

32.815-002\_EN\_10/2017

**MOBOTIX**

### Standard Delivery D26



Item	Count	Part Name
1.1	1	Camera housing
1.2	1	Lens (not with D26 Body)
1.3	1	Dome, transparent
1.4	1	microSD card (SDXC, SDHC pre-installed)
1.5	1	Ethernet cable CAT5 0,5 m/20" (pre-installed)
1.6	1	Hinged ferrite
1.7	1	Allen wrench 3 mm
1.8	1	Torx wrench TX20
1.9	1	Toothed wrench
1.10	1	Outer shell
1.11	1	Mounting ring
1.12	4	Stainless steel washers 5,3 mm dia.
1.13	4	Dowels 8 mm
1.14	4	Stainless steel Torx screws 4,5x60 mm
1.15	4	Stainless steel washers 4,3 mm dia.
1.16	4	Stainless steel Allen screws M4x16 mm

### Connections and Initial Operation of the D26

You can find detailed information on the **installation** and **connections** of the D26 in the *D25 Camera Manual* (PDF, available on [www.mobotix.com](http://www.mobotix.com) > **Support** > **Manuals**).

Please note that the boot options of this camera have changed compared to its predecessor (see «*Boot Options of the D26*» on page 2) and the camera only has one key ("R"). Regarding the rest of the **initial operation** of the D26, please see the *D25 Camera Manual* in *Chapter 3, «Initial Operation»*.



\* To suppress electromagnetic interference, attach the enclosed hinged ferrite (item 1.6) to the pre-installed Ethernet cable of the camera. The hinged ferrite should be positioned as close as possible to the camera body.

### Mounting Options of the D26

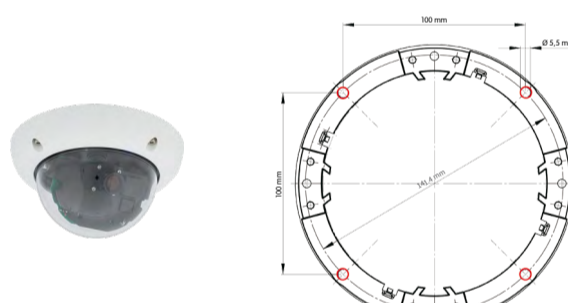
#### Preparing the camera for mounting

Remove the outer shell and unscrew the dome.



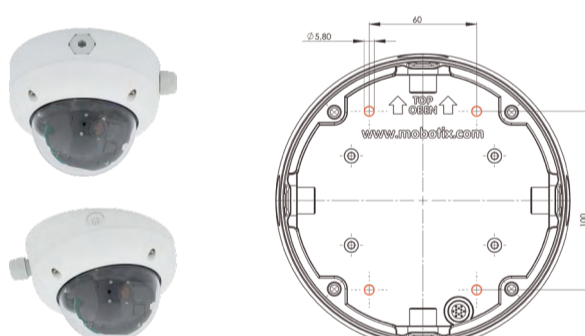
#### Installation on Walls or Ceilings Without Accessories

After drilling the holes for fixtures (see «*Drilling Templates*»), attach the mounting ring of the D25 at the designated position using dowels and screws. Next, connect the cabling, point the camera into the viewing direction and adjust the focus of the lens (see «*Initial Operation of the D26*»). Finally, install the dome and the outer shell.



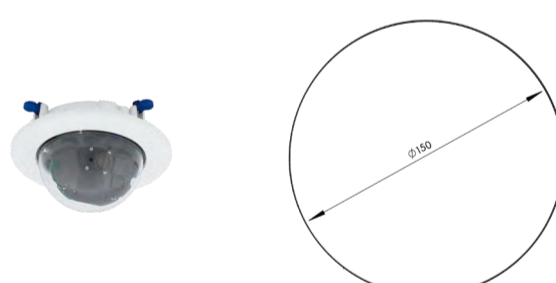
#### Installation With On-Wall Set/On-Wall Set 10° (Accessory)

After drilling the holes for fixtures (see «*Drilling Templates*») attach the On-Wall Set at the designated position using dowels and screws, then lead the cabling into the On-Wall Set. Next, remove the mounting ring of the D26, connect the cabling and install the camera on the On-Wall Set. Finally, install the dome and the outer shell.



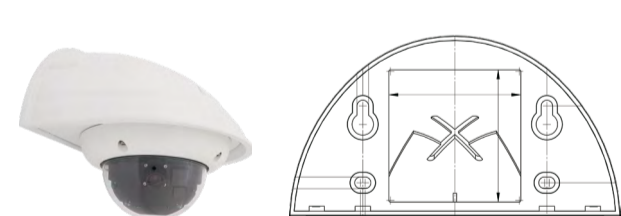
#### Installation With Cavity Wall Installation Set (Accessory)

After cutting out the hole (see «*Drilling Templates*»), remove the mounting ring of the D26 and install the camera in the Cavity Wall Installation Set. Next, connect the cabling and install the camera together with the Cavity Wall Installation Set into the cut-out and fasten it using the winged cams. Finally, press the decoration ring onto the camera and lock it in place using the toothed wrenches.



#### Installation With Outdoor Wall Mount (Accessory)

Remove the cover plate of the Outdoor Wall Mount. After drilling the holes for fixtures (see «*Drilling Templates*»), attach the Outdoor Wall Mount at the designated position using dowels and screws, then lead the cabling into the mount. Next, remove the mounting ring of the D26, connect the cabling and click the camera into the clamps of the cover plate of the Outdoor Wall Mount. Then attach the cover plate with the camera to the Outdoor Wall Mount. Finally, install the dome and the outer shell.



#### Installation With Pole Mount and Outdoor Wall Mount (Accessory)

Lead the cabling from the rear through the Pole Mount and attach to a pole (using steel straps). Then attach the Outdoor Wall Mount to the Pole Mount. The remaining installation of the D26 follows the steps under «*Installation With Outdoor Wall Mount (Accessory)*» above.



#### Installation of the Vandalism Kit (Accessory)

Screw in the reinforced dome and set the four spacers onto the mounting ring of the camera. Place the stainless steel outer shell onto the camera and tighten it using the four security screws.



### Inserting/Exchanging the SD Card

All camera models can use the integrated microSD card (SDXC) to record video data. In order to exchange the microSD card, please proceed as outlined in the following instruction. For information on reliable SD cards, please see the MOBOTIX website [www.mobotix.com](http://www.mobotix.com) > **Support** > **MxMedia Library** > **Planning** in the document *MicroSD Card Whitelist for MOBOTIX Cameras*.

When replacing the SD card, make sure that recording has been deactivated in the browser (**Admin Menu** > **Storage** > **Storage on External File Server / Flash Device**; activate recording again in the same dialog after exchanging the card).

#### 1. Remove the SD Card

If a microSD card has been installed, gently press with your finger as indicated by the arrow until you hear a **click**. Then release the SD card. The card is protruding slightly and can be easily removed.



#### 2. Insert the SD Card

Insert the microSD card and gently press with your finger as indicated by the arrow until you hear another **click**. Make sure that the SD card is fully inserted.



**MOBOTIX**

## Initial Operation of the D26

The initial operation starts with connecting the power supply (see section «*Network and Power Connection, Additional Cables*» in the *D25 Camera Manual*). The first access follows the procedure described in the same manual in the «*Initial Operation of the Camera*» section. All other tasks require access to the camera's user interface in the browser. Enter the camera's IP address into the address bar of the browser.

### 1. Select the lens

Open the **Admin Menu > Hardware Configuration > Lens Configuration** dialog and select the installed lens. This step is required to select the proper special functions of the installed lens (e.g., for wide-angle lenses).



Carefully turn the lens by hand (possibly with a cloth, see Safety Warnings, "Never touch the lens") in clockwise or counter-clockwise direction until the red area of the focusing aid is as small as possible.



Once the focus is adjusted properly, deactivate the focusing aid again (**Focusing Aid** quick control, **Disabled** value).

**Note:** Due to the lens effect of the dome, the focus of the B237 tele lens is shifting slightly once the dome has been mounted. Before mounting the dome, the tele lens should be turned about **90° in counter-clockwise direction** (as seen from the lens' front). Make sure that you check the focus of the live image in your browser with the dome installed and re-adjust the lens, if required.

### 3. Save the configuration

In the live image of the browser, select the **Manage Settings** quick control and set **Store Entire Configuration** as value. The camera stores the configuration in the permanent camera memory so that the settings will be applied at the next camera reboot.

### 2. Adjust the lens focus

Remove the dome before proceeding.

Check the live image from the camera in the browser. Activate the focusing aid in the browser (**Focusing Aid** quick control, **Activated** value).



## Boot Options of the D26

By default, the camera starts as DHCP client and automatically tries to get an IP address from a DHCP server. To start the camera in a mode different from the default mode, you can activate the boot menu of the camera.

### 1. Preparing the Camera

- Remove the outer shell and the dome.
- Disconnect the camera's power supply.
- Reconnect the power supply of the camera.

### 2. Activating the Boot Menu

The red LED lights up 5 to 10 seconds after establishing the power supply and will stay on for 10 seconds. Briefly press the "R" key indicated by the red circle in the figure. The camera enters the boot menu, ready for selecting one of the boot options.

The LED now flashes once and repeats the flash signal after pausing for one second (the number of flashes indicates the current boot option). To go to the next boot option, briefly press the "R" key again (< 1 sec). After the last boot option, the camera returns to the first option (LED flashes once).



LED flashes	Boot Option	Meaning	Audio Confirmation*
1 x	Auto Configuration	Starts the auto configuration in order to operate this camera as a door station (not supported on all camera models).	Phone ringing
2 x	Factory Defaults	Starts the camera with factory defaults (factory default IP address, users and passwords will not be reset).	Boing
3 x	Automatic IP Address	Starts the camera as DHCP client and tries to obtain an IP address from a DHCP server. If a DHCP server cannot be found or no IP address can be obtained, the camera starts with its factory default address.	Boing Boing
4 x	Recovery System	Starts the camera with the recovery system, e.g., in order to recover from a failed update of the camera software.	Alarm Sound

\*Audio on D26 only in connection with ExtIO (MOBOTIX Accessory).

### 3. Selecting a Boot Option

Press the "R" key longer (> 2 sec). The camera confirms the selection by flashing rapidly three times. After 20 sec, the camera will confirm the selection by playing a sound according to the table above. If nothing is selected, the camera will resume its normal boot process after a certain time.

The outer shell and the dome can be mounted again.

## Important Notes

### 1. Safety Warnings

#### Notes on Installing:

- This product must not be used in locations exposed to the dangers of explosion.
- Make sure that you install this product as outlined in *Chapter 2, «Installation»* of the corresponding manual. A faulty installation can damage the camera!
- When installing this product, make sure that you are only using genuine MOBOTIX parts and MOBOTIX connection cables.
- Only install this product on suitable, solid materials that provide for a sturdy installation of the fixing elements used.



**Network security:** MOBOTIX products include all of the necessary configuration options for operation in Ethernet networks in compliance with data protection laws. The operator is responsible for the data protection concept across the entire system. The basic settings required to prevent misuse can be configured in the software and are password-protected. This prevents unauthorized parties from accessing these settings.



### 2. Legal Notes

**Legal aspects of video and sound recording:** You must comply with all data protection regulations for video and sound monitoring when using MOBOTIX products. Depending on national laws and the installation location of the D25, the recording of video and sound data may be subject to special documentation or it may be prohibited. All users of MOBOTIX products are therefore required to familiarize themselves with all applicable regulations and to comply with these laws. MOBOTIX AG is not liable for any illegal use of its products.



### 3. Disposal

Electrical and electronic products contain many valuable materials. For this reason, we recommend that you dispose of MOBOTIX products at the end of their service life in accordance with all legal requirements and regulations (or deposit these products at a municipal collection center). MOBOTIX products must not be disposed of in household waste! If the product contains a battery, please dispose of the battery separately (the corresponding product manuals contain specific directions if the product contains a battery).



### 4. Disclaimer

MOBOTIX AG does not assume any responsibility for damages, which are the result of improper use or failure to comply to the manuals or the applicable rules and regulations. Our **General Terms and Conditions** apply. You can download the current version of the General Terms and Conditions from our website at [www.mobotix.com](http://www.mobotix.com) by clicking on the **COS** link at the bottom of every page.

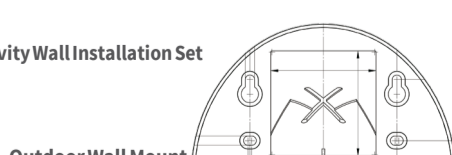
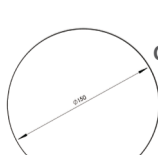
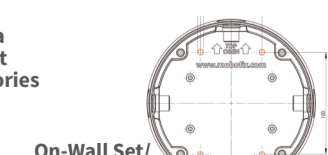
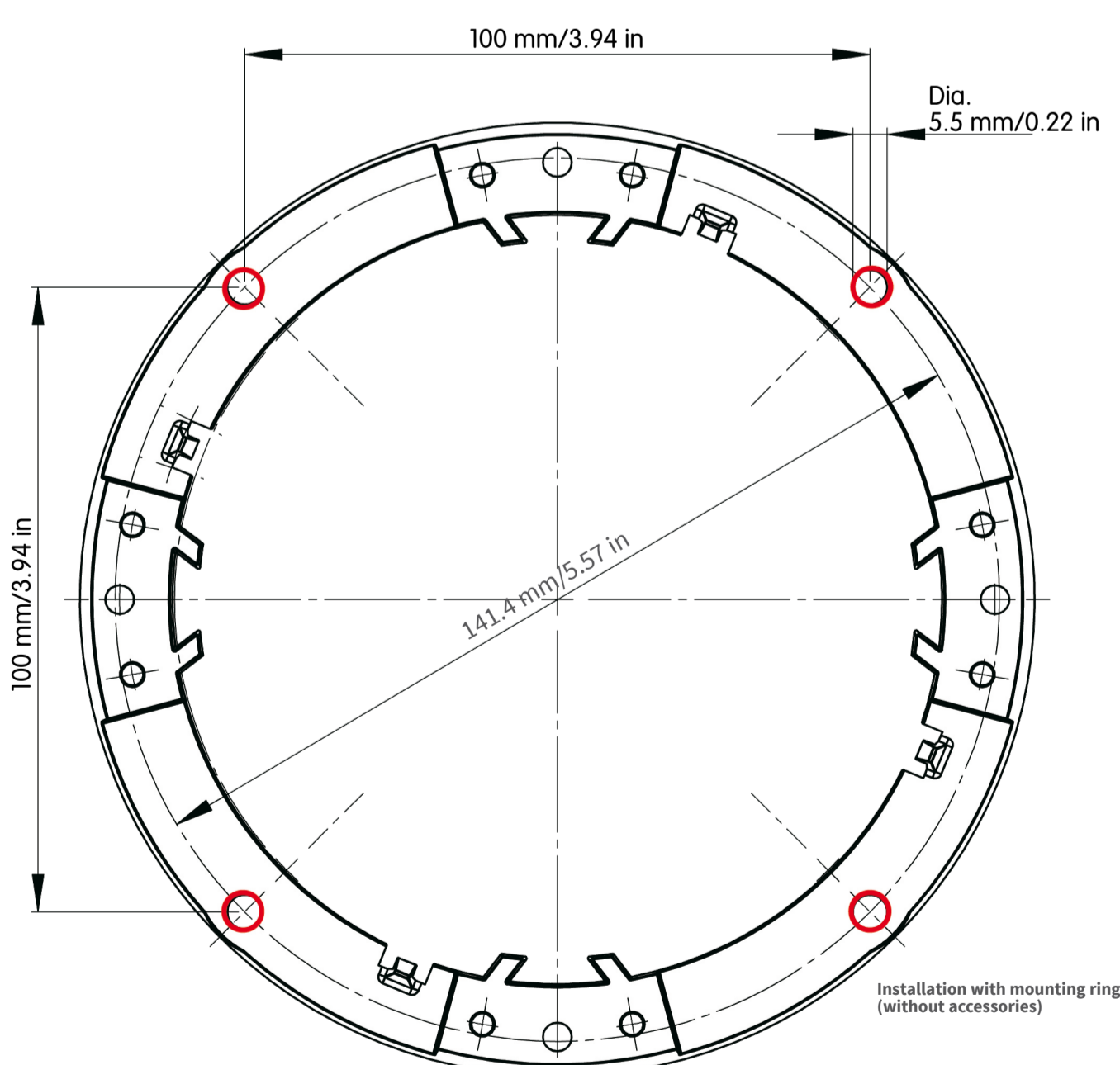


## Technical Specifications D26

<b>Lens Options</b>	MX-B036 to MX-B237 (20 to 135 mm in 35 mm format), 103° to 15° horizontal angle of view
<b>Sensitivity</b>	• Color sensor (day): 0,1 lx @ 1/60s; 0,005 lx @ 1s • BW sensor (night): 0,02 lx @ 1/60s; 0,001 lx @ 1s
<b>Image Sensor</b>	1/1,8" CMOS, 6MP (3072x2048), Progressive Scan
<b>Max. Image Size</b>	6MP (3072x2048)
<b>Image Formats</b>	Freely configurable format 4:3, 8:3, 16:9 or customized format (image cropping), e.g., 2592x1944 (5MP), 2048x1536 (QXGA), 1920x1080 (Full-HD), 1280x960 (MEGA)
<b>Max. Frame Rate</b>	• MxPEG: 42@HD (1280x720), 34@Full-HD, 24@QXGA, 15@5MP, 12@6MP • M-JPEG: 26@HD (1280x720), 13@Full-HD, 9@QXGA, 5@5MP, 4@6MP • H.264: 25@Full-HD, 20@QXGA
<b>Video Codec</b>	• MxPEG, M-JPEG, JPEG (max. output format 6MP) • H.264 (max. output format QXGA; bandwidth limitation possible)
<b>DVR</b>	• Camera-internal via microSD card (SDXC, SDHC pre-installed) • External on USB device • External on NAS • Full image recording regardless of live image zoom • MxFFS • Pre-alarm and post-alarm images • DVR monitoring with error notification
<b>Software</b>	Videomanagement Software MxManagementCenter
<b>Image Processing</b>	MxLEO, backlight compensation, automatic white balance, image distortion correction

<b>PTZ</b>	Digital pan/tilt/zoom; max. zoom 8x (continuous)
<b>Alarm/Events</b>	Temperature sensor, shock detector (with firmware version 5.0.1 and higher), other sensors/IO via MxMessageSystem, notification via e-mail, FTP, IP telephony (VoIP, SIP), visual/sound alarms, pre- and post-alarm images
<b>Intelligent Video Analysis</b>	MxActivitySensor, video motion analysis, MxAnalytics
<b>Interfaces</b>	Ethernet 10/100, IPv4/IPv6, MiniUSB; audio, inputs/outputs and RS232 with optional accessory
<b>Security</b>	User/group management, HTTPS/SSL, IP address filter, IEEE 802.1x, intrusion detection, digital image signature, MxFFS
<b>Certifications</b>	EN55022:2010; EN55024:2010; EN50121-4:2006; EN61000-6-1:2007; EN 61000-6-2:2005; EN61000-6-3:2007+A1:2011; EN61000-6-4:2007+A1:2011; AS/ NZS CISPR22:2009+A1:2010; CFR47 FCC part15B
<b>Power Supply</b>	PoE (IEEE 802.3af)
<b>Power Consumption</b>	Typ. 3,3 W
<b>Protection Classes</b>	IP66 IK10
<b>Ambient Temperature</b>	-30 to 50 °C / -22 to 122 °F
<b>Dimensions/Weight</b>	Diameter x Height: 160 x 86 mm; weight: approx. 350 g
<b>Standard Delivery</b>	Housing (high-resistance composite, PBT), white, shock-resistant dome (transparent), mounting supplies, wrenches, 50 cm patch cable, MicroSD card (installed)

## Drilling Templates



Manuals and drilling templates: [www.mobotix.com](http://www.mobotix.com) > Support > Manuals > IP Camera Systems > Dome D26



MOBOTIX, the MX logo, MxControlCenter, MxEasy, MxPEG and MxActivitySensor are trademarks of MOBOTIX AG registered in the European Union, the U.S.A., and many other countries. Information subject to change without notice. MOBOTIX does not assume any liability for technical or editorial errors or omissions contained herein. All rights reserved. © MOBOTIX AG 2017

CEFC Declaration of Conformity: [www.mobotix.com](http://www.mobotix.com) > Support > MxMedia Library > Certificates

MOBOTIX AG  
Kaiserstrasse  
D-67722 Langmeil  
Tel.: +49 6302 9816-0  
Fax: +49 6302 9816-190  
sales@mobotix.com  
www.mobotix.com

**MOBOTIX**