

MOBOTIX ExtIO

Ø 12 cm

MOBOTIX Cam

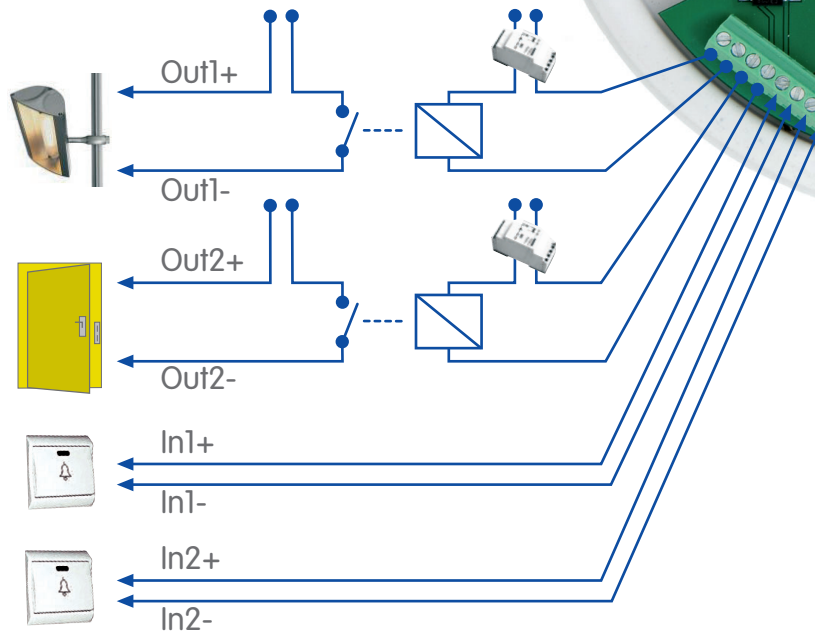
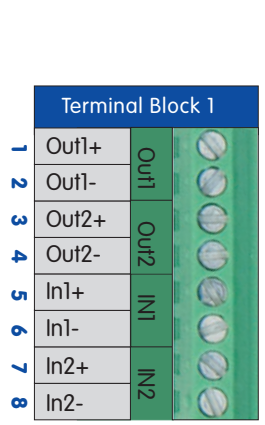
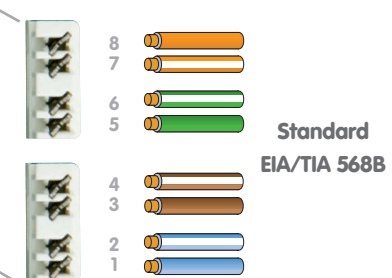
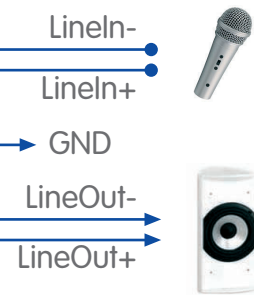
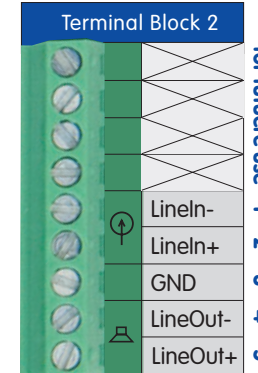
USB Connector

PIN	Funktion
1	USB +5V
2	USB D-
3	USB D+
4	GND

Bestellnr. USB-Kabel

MX-EXTIO-D22-1
 MX-EXTIO-D22-5
 MX-EXTIO-D12-5
 MX-EXTIO-M22-5
 MX-EXTIO-M12-5

USB Connection



MOBOTIX ExtIO

Schemaplan	Rev.: 1.1	Juli 2008
Bestellnr.: MX-EXTIO (ohne Kamera)		