



- Available as outdoor installation box MxSplitProtect (IP66) and as hat-rail module MxSplitProtectHR (Indoor)
- Adapter lids for horizontal (MX-MT-FRONT-HOR) or vertical installation (MX-MT-FRONT-VER, pointing 15° downwards) for the outdoor cameras D24M, D25, D26, Q24M, Q25 and Q26
- Adapter lid MX-MT-FRONT-M for outdoor cameras M15, M16, M24M, M25 and M26
- Pole mount MX-MH-SecureFlex-ESWS for M1x/M2x cameras also suitable for installation of MxSplitProtect on poles (Ø 6 to 18 cm)

Installation Box with Split Function and Overvoltage Protection

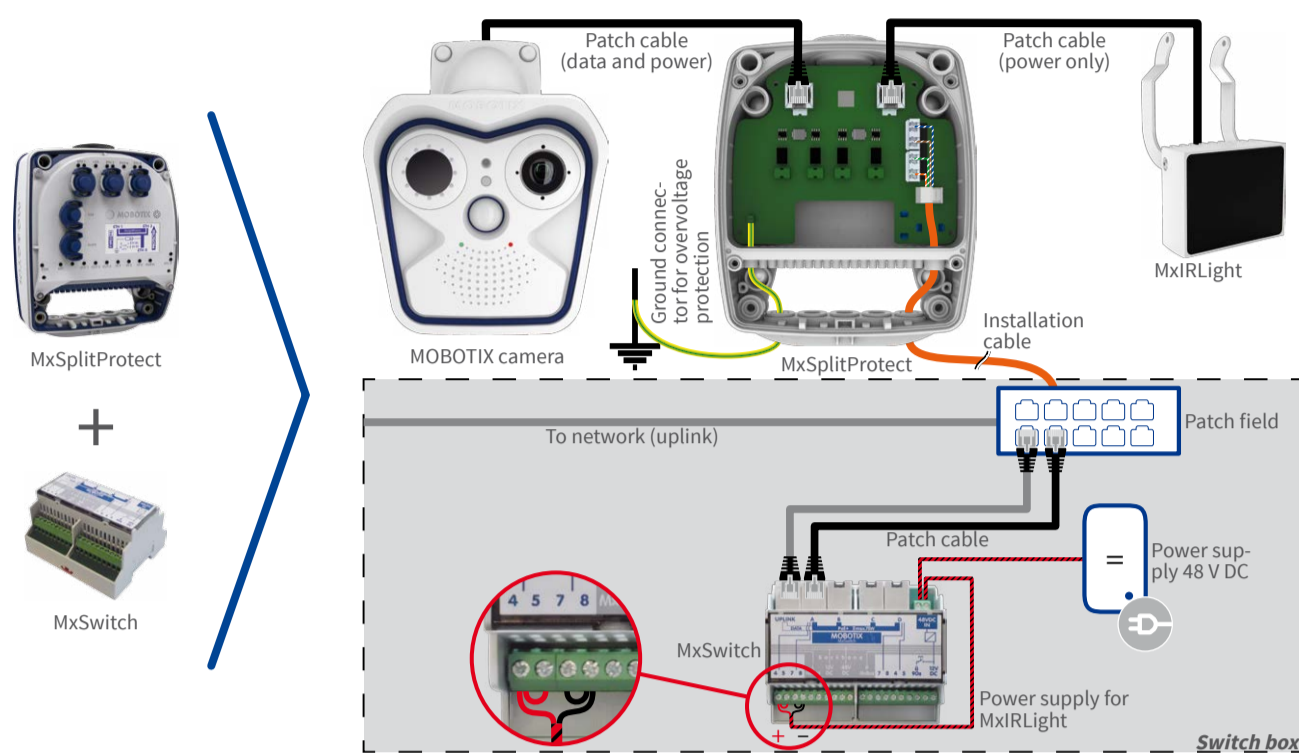
Connection and power supply of two PoE end devices; includes overvoltage protection of up to 4 kV.

Mx-A-SPA/Mx-A-SPA-HR
32.947-001_EN_09/2017

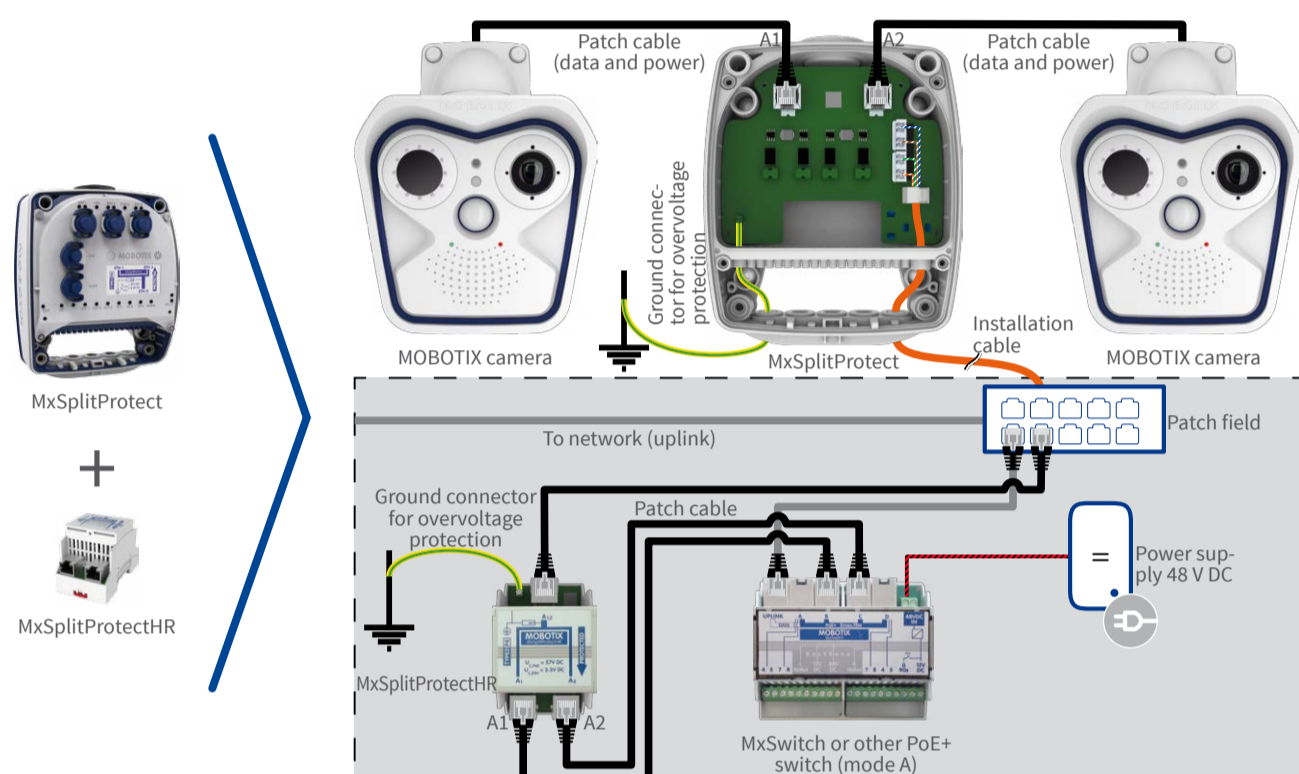
MOBOTIX

Application Scenarios

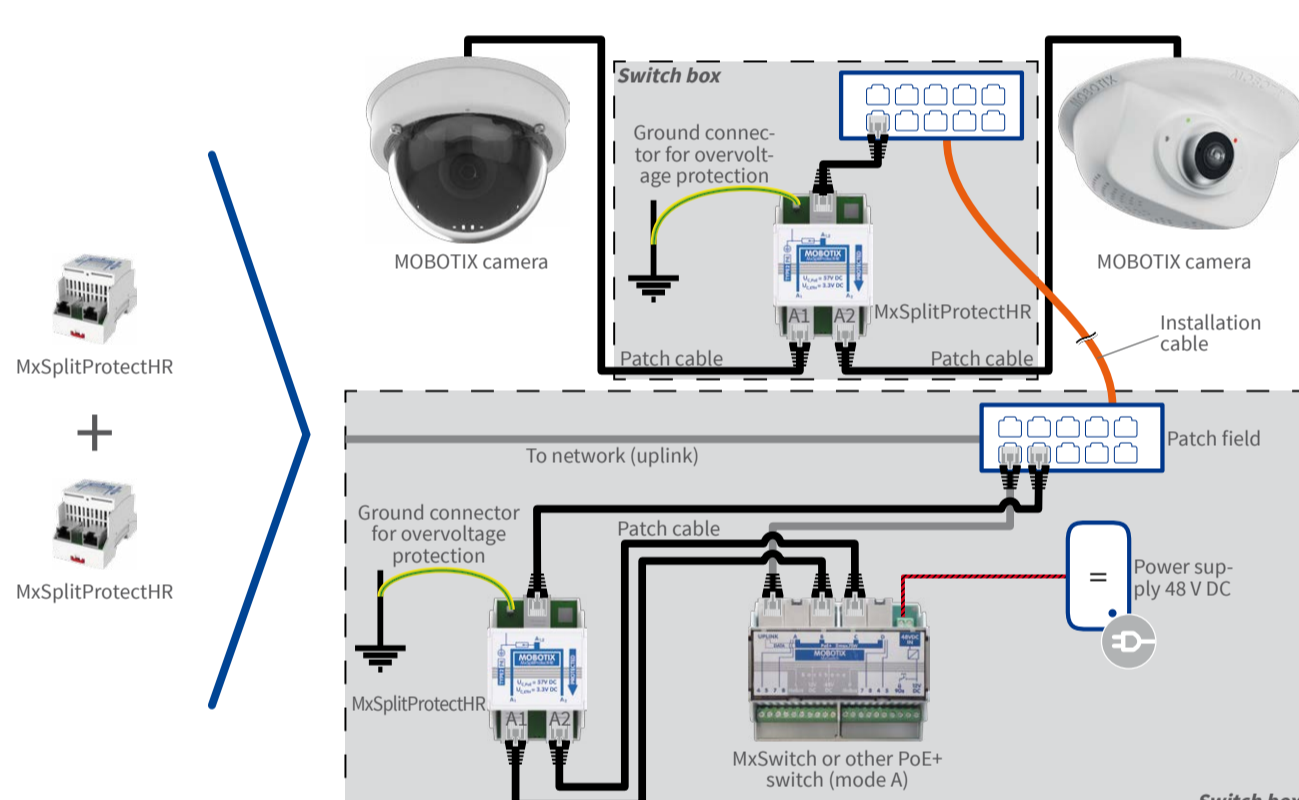
1. Split function for attaching one MOBOTIX camera and one MxIRLight infrared light



2. Split function for attaching two MOBOTIX cameras via an eight-wire installation cable for outdoor applications



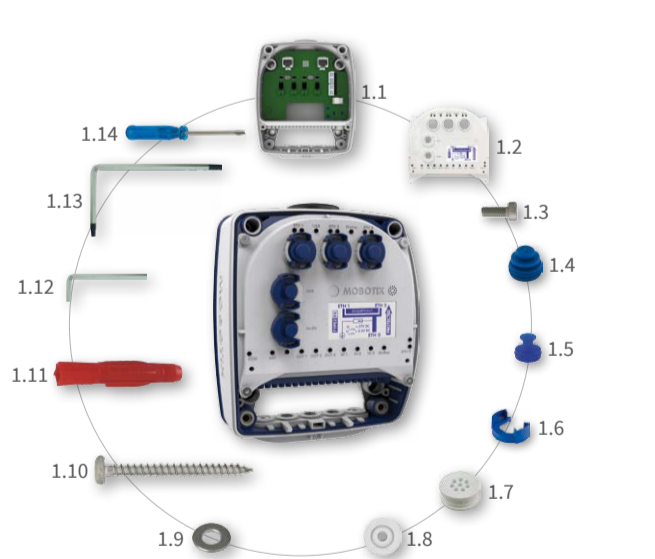
3. Split function for attaching two MOBOTIX cameras via an eight-wire installation cable for indoor applications



Important Notes

- The length of the cabling between MxSplitProtect/MxSplitProtectHR and the powered device (MOBOTIX camera or PoE device) must not exceed 1m/1yd.
- When using a network installation cable, pay attention to the correct twisting and shielding of the cable.
- Only a qualified electrician is allowed to work inside switch boxes with mains power (installation and connection of an MxSplitProtectHR module).
- To properly discharge electrical overvoltage, a **separate ground wire needs to be attached to the ground connector** of the switch box and to the **ground connector of the MxSplitProtect or MxSplitProtectHR**, respectively.
- Torque for all box cover screws of the MxSplitProtect: 0.4 Nm.
- The MxSplitProtect module is only certified for vertical installation (see figure). Make sure that the **TOP/OBEN** marking at the back of the module is pointing straight up.
- If the overvoltage surpasses the maximum voltage of 4 kV, internal components may break to protect the attached devices. If this happens, you need to exchange the entire module (MxSplitProtect or MxSplitProtectHR); this is not covered by the warranty.

Standard Delivery: MxSplitProtect



Item	Count	Part Name
1.1	1	Housing with mainboard (installed)
1.2	1	Housing cover (installed)
1.3	4	Stainless steel Allen screw M4x16 mm (installed)
1.4	3	Plug for Ethernet connectors, silicone, blue (installed)
1.5	2	Plug for USB/Audio connectors, silicone, blue (installed)
1.6	5	Bayonet catch, blue (installed)
1.7	6	Single-wire plug, silicone, white (installed)
1.8	2	Cable plug 5 to 7 mm, silicone, white (installed)
1.9	4	Washer 6.4 mm dia., stainless steel
1.10	4	Wood screw 6x70 mm with TX25 head, stainless steel
1.11	4	Dowel S8
1.12	1	Allen wrench 2.5 mm
1.13	1	Multi-purpose tool TX25/Allen screw 5 mm
1.14	1	Flat-head screwdriver 2 mm, blue

Standard Delivery: Adapter Lid MX-MT-FRONT-HOR for MOBOTIX Camera D24M, D25, D26, Q24M, Q25 and Q26 (Horizontal Installation)



Item	Count	Part Name
2.1	1	Adapter lid with sealing ring (installed)
2.2	1	Camera mounting ring (installed)
2.3	4	Allen screw M6x35 mm, stainless steel, washer 6,4 mm dia., stainless steel O-ring seal, rubber (installed)
2.4	2/2	Plug top/bottom
2.5	1	Sealing ring for camera

Standard Delivery: Adapter Lid MX-MT-FRONT-VER for MOBOTIX Camera D24M, D25, D26, Q24M, Q25 and Q26 (Vertical Installation, Pointing 15 deg. Downward)



Item	Count	Part Name
3.1	1	Adapter lid with sealing ring (installed)
3.2	1	Camera mounting ring (installed)
3.3	4	Allen screw M6x35 mm, stainless steel, washer 6,4 mm dia., stainless steel O-ring seal, rubber (installed)
3.4	2/2	Plug top/bottom
3.5	1	Sealing ring for camera

Standard Delivery: Adapter Lid MX-MT-FRONT-M for MOBOTIX Camera M15, M16, M24M, M25 and M26



Item	Count	Part Name
4.1	1	Adapter lid with sealing ring (installed)
4.2	4	Allen screw M6x35 mm, stainless steel, washer 6,4 mm dia., stainless steel O-ring seal, rubber (installed)
4.3	2/2	Plug top/bottom

MOBOTIX



Installing and Connecting MxSplitProtect

1. Remove the housing cover

Remove the four M4x25 Allen screws of the cable cover (item 1.3) using the supplied 2.5 mm Allen wrench (item 1.12) and lift the cover out of its seat.

2. Install the housing

Make sure that the housing is installed vertically. The **TOP/OBEN** marking at the back of the module needs to point straight up (see figure).

Properly fasten the casing using suitable screws and dowels, if required (items 1.9/1.10).

When installing the module on a pole, you can use fasten the housing to the MX-MH-SecureFlex-ESWS pole mount using suitable screws.

3. Connect the network installation cable

Pierce through the blue sealing with, for example, a screwdriver (see figure) and push the cable into the housing.

Lock the shield wire of the installation cable in place using the white clamp.

Use an LSA+ tool (LSA/Krone blade with setting "Low Impact") to insert the eight wires of the installation cable into the clamp according to the wire scheme used (TIA 568A or 568B).

4. Connect the ground wire

Pierce through the blue sealing on the left-hand side with, for example, a screwdriver and connect the ground wire to the ground connector.

5. Attach housing cover

Place the cover on top of the housing and tighten it using the four Allen screws M4x16 mm (item 1.3).

6. Connect the devices

Connect the PoE devices according to the applicable scenario (see «Application Scenarios» on page 1).

Note: When connecting a PoE device without network link (power supply only, such as MxLight) according to Application Scenario 1, **you must use the ETH 3 connector for this device!**

Installing and Connecting: D2x/Q2x with Adapter Lid MX-MT-FRONT-VER/MX-MT-FRONT-HOR

1. Prepare Camera for Installation

Remove the black mounting ring, if it is attached to the camera.

Take the blue sealing ring included in the packaging of the adapter lid (item. 2.5 or 3.5).

Place the blue sealing ring on the back of the camera. To do so, press the sealing ring into the wedge-shaped recesses on the back of the camera (as shown in figure).

2. Install the camera

Remove the white camera lock ring of the adapter lid and guide the patch cable as well as any other wires of the camera through the opening of the lid.

Align the camera properly, insert it into the adapter lid then screw on the lock ring and tighten it to lock the camera in place.

3. Connect the camera

Remove the bayonet catch and the blue plug from the connector (ETH 1 or ETH 3). Insert the patch cable into the connector and fasten the cable using the blue bayonet catch.

4. Attach adapter lid

Turn the adapter lid with installed camera once counter-clockwise so that the patch cable forms a loop and fits better under the lid.

Place the adapter lid onto the MxSplitProtect housing and make sure not to squish any of the wires or cables.

Using the four M6x35 Allen screws (item 2.3 or 3.3), screw down the lid on the MxSplitProtect housing, then press the four white plugs onto the screws to close off the holes.

Installing and Connecting: M1x/M2x with Adapter Lid MX-MT-FRONT-M

1. Prepare Camera for Installation

Loosen the Allen screw of the original mount of the M1x/M2x using the Allen tool M5 (combination tool, item 1.13), then remove the screw and the washer.

Gently pull the patch cable out of the housing (take extra care not to rip off the lock spring of the patch cable connector).

2. Install the camera

Guide the patch cable as well as any other wires of the camera through the openings of the lid.

Place the joint of the MOBOTIX camera onto the adapter as shown in the figure.

Take the Allen screw and washer you removed earlier and insert it into the lid. Roughly adjust the camera and lightly fasten the screw (make sure you tighten the screw properly after having aligned the camera properly).

3. Connect the camera

Remove the bayonet catch and the blue plug from the connector (ETH 1 or ETH 3). Insert the patch cable into the connector and fasten the cable using the blue bayonet catch.

4. Attach adapter lid

Turn the adapter lid with installed camera once counter-clockwise so that the patch cable forms a loop and fits better under the lid.

Place the adapter lid onto the MxSplitProtect housing and make sure not to squish any of the wires or cables.

Using the four M6x35 Allen screws (item 4.2), screw down the lid on the MxSplitProtect housing, then press the four white plugs onto the screws to close off the holes.

Align the camera properly and tighten the screws at the joints of the camera.

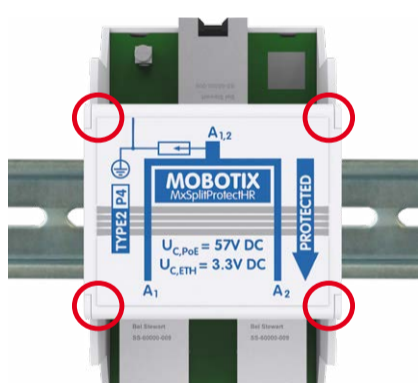
Installing and Removing the MxSplitProtectHR Module

Caution – Danger of Life! Only a qualified electrician is allowed to work inside switch boxes with mains power. Switch off all power to the switch box before working on the switch box and make sure that the power lines do not carry any current!



1. Installing the Module

Place the module onto the top-hat rail at the desired location, then gently press the module onto the rail at the indicated locations until it clicks into place.

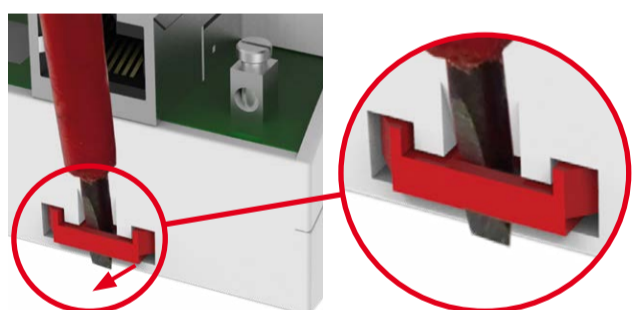


After the clips have clicked into place, you can easily slide the module on the rail until you have positioned it properly.

2. Removing the Module

Remove the network cable and any other cables or wires; isolate blank wire ends, if required.

Push a suitable screwdriver into the red clip on one side of the module (top or bottom), then gently pull the clip from the housing until it clicks into the open locked position. Repeat the procedure on the clip on the other side and remove the module.



After removing the module, lightly press on the clips; they will jump back into their original position.

Connecting the MxSplitProtectHR and the Powered Devices

Caution – Danger of Life! Only a qualified electrician is allowed to work inside switch boxes with mains power. Switch off all power to the switch box before working on the switch box and make sure that the power lines do not carry any current!

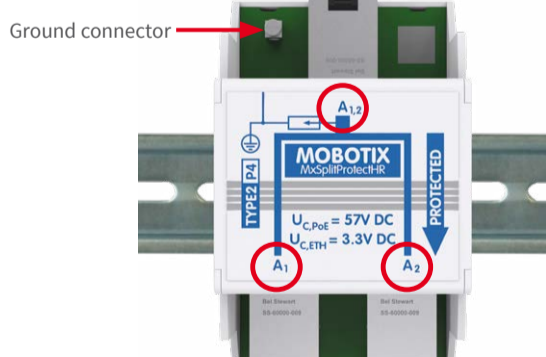


1. Notes on Connecting the Ground Wire

- Connect the ground wire to the ground connector of the module.
- Connect the ground wire to the ground connector of the switch box.

2. Notes on Connecting the Module and the Powered Devices

- Use a patch cable to connect the **A1,2** connector of the module to a patch field or a switch.
- Connect the powered devices according to the application scenario (see «Application Scenarios» on page 1) to the connectors **A1** and **A2**. Make sure that the **cables to the powered devices do not exceed 1 m/1 yd!**



Important Notes

Safety Warnings

Notes on Installing:

- This product must not be used in locations exposed to the dangers of explosion.
- Make sure that you install this product as outlined in this document. A faulty installation can damage the camera!
- When installing this product, make sure that you are only using genuine MOBOTIX parts and MOBOTIX connection cables.
- Only install this product on suitable, solid materials that provide for a sturdy installation of the fixing elements used.



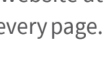
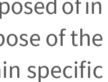
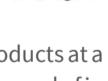
Electrical installation:

Electrical and electronic products contain many valuable materials. For this reason, we recommend that you dispose of MOBOTIX products at the end of their service life in accordance with all legal requirements and regulations (or deposit these products at a municipal collection center). MOBOTIX products must not be disposed of in household waste! If the product contains a battery, please dispose of the battery separately (the corresponding product manuals contain specific directions if the product contains a battery).



Disclaimer

MOBOTIX AG does not assume any responsibility for damages, which are the result of improper use or failure to comply to the manuals or the applicable rules and regulations. Our **General Terms and Conditions** apply. You can download the current version of the General Terms and Conditions from our website at www.mobotix.com by clicking on the COS link at the bottom of every page.



Technical Specifications MxSplitProtect/MxSplitProtectHR

Normal Usage	PoE power supply, network connection and overvoltage protection for up to two MOBOTIX cameras or PoE devices (PoE+ mode A according to IEEE 802.3at with up to 57 V)
Protection Against Overvoltage	Tested up to 4 kV on all wires of attached cables according to EN 61000-4-5:2014 test standard; max. length of connection cables must not exceed 1 m/1 yd
Protection Class (according to DIN EN 60529)	MxSplitProtect: IP66 MxSplitProtectHR: Indoor
Connections	MxSplitProtect: 1 LSA (2x 100Base-T) with ground clamp, 2 Ethernet 100Base-T with PoE Mode A, 1 ground wire MxSplitProtectHR: 1 RJ45 (2x 100Base-T), 2 Ethernet 100Base-T with PoE Mode A, 1 ground wire
Shock Protection (according to IEC 62262/EN 50102)	MxSplitProtect: IK08 MxSplitProtectHR: -

Operating Temperature (according to DIN EN 50125)	MxSplitProtect: -30 to 60 °C MxSplitProtectHR: 0 to 40 °C
Strength of the Ground Wire	1.5 to 2.5 mm ²
Dimensions (width x height x depth)	MxSplitProtect (without camera): 145 x 180 x 80 mm/5.71 x 7.09 x 3.15 in MxSplitProtect with lid (without camera): MX-MT-FRONT-VER: approx. 175 mm/6.89 in MX-MT-FRONT-HOR: approx. 135 mm/5.31 in MX-MT-FRONT-M: approx. 133 mm/5.24 in MxSplitProtectHR: 54 x 61 x 90 mm/ 2.13 x 2.40 x 3.54 in
Weight	MxSplitProtect: 650 g (without accessories) MxSplitProtectHR: 85 g

