

MANUAL

DOOR INTERCOM

AN1204 3G INTERCOM (ACCESS CONTROL SYSTEM)



For your protection, read these instructions completely

And keep them for future reference.

TABLE OF CONTENTS

IMPORTANT SAFETY INSTRUCTION	3
AN1204 3G INTERCOM INTRODUCTION	4
AN1204 3G INTERCOM WITH ACCESSORIES	4
INSTALLATION	5
AN1204 3G Intercom Unit	6
Wiring Diagram.....	6
LED Indicator	7
AN1204 3G INTERCOM OPERATION	8
Enter Listener Monitoring Mode	10
Enter Access Control Mode	10
Enter Programming Mode	10
Programming	11
Door/ Gate Release	12
Check 3G Signal Strength	14
Check Relay Status	14
Administrator Number.....	14
CHECK A LOG OF DIAL IN AND DIAL OUT NUMBERS VIA E-MAIL OR SMS	15
USER COMMANDS	18
HOW TO RESET THE HARDWARE WHEN YOU FORGET YOUR PASSWORD	20
SPECIFICATIONS	20
QUICK PROGRAMMING VIA SMS	21
TROUBLESHOOTING (Q&A)	22

Thank you for purchasing an AN1204 3G Intercom. Please read this manual carefully before using. Be sure to keep this manual for future reference in case of any problem or question should arise.

IMPORTANT SAFTY INSTRUCTIONS

When using this AN1204 3G Intercom, basic safety precautions should always be followed to reduce the risk of fire, electric shock and personal injury. Please read the following before using your equipment.

1. Follow all warning and instructions on the product.
2. Unplug all the connections of product before cleaning. Do not use liquid cleaners or aerosol cleaners. Use a damp cloth for cleaning.
3. Do not use this product near water.
4. Do not use this product near an area where there is a potential of gas leaks or near any fumes that can be explosive.
5. Do not place this equipment near or over a radiator or any other heat source.
6. Do not overload the wall outlet or power cord where the power adapter is installed. This can result in fire or electric shock
7. Avoid spilling liquid on this equipment and do not insert any objects through the ventilation slots.
8. Avoid using the equipment during an electrical storm. There is a remote risk of electrical shock from lighting.

AN1204 3G INTERCOM INTRODUCTION

The AN1204 3G is an intercom system, installed at the entrance of a building. It is an ideal product replacing the traditional door phone. It allows you to speak with visitors standing at the entrance of your company or house entrance from a remote location. A visitor, by simply pressing the call button establishes a mobile call with you. During the call you will be able to activate realty.

This AN1204 3G Intercom gives you the opportunity not only to know who is waiting at the entrance from a remote location but also to control the access point. Use of AN1204 3G Intercom at your company or house does not require any special installation and wiring. Simply install the AN1204 3G and connect the door latch and power supply.

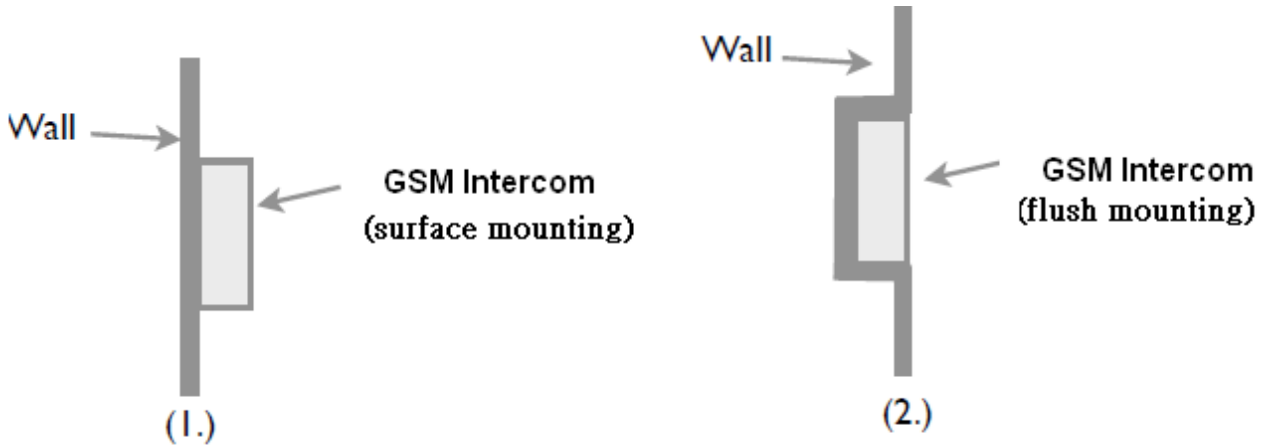
AN1204 3G INTERCOM WITH ACCESSORIES

Item	Description	Q'ty	Included	Optional
1	AN1204 3G Intercom	1	⊙	
2	Power adapter	1	⊙	
3	External antenna	1	⊙	
4	Mounting Bracket for antenna	1	⊙	
5	Operational manual	1	⊙	



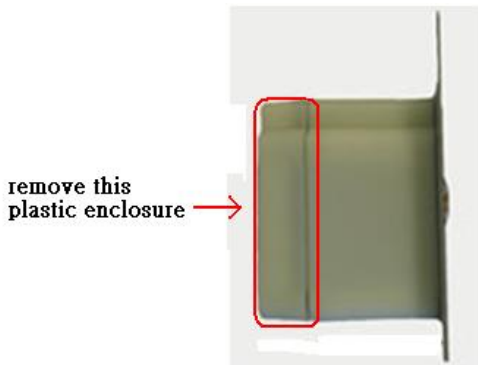
INSTALLATION

This 3G Intercom is suitable for both flush and surface mounting.

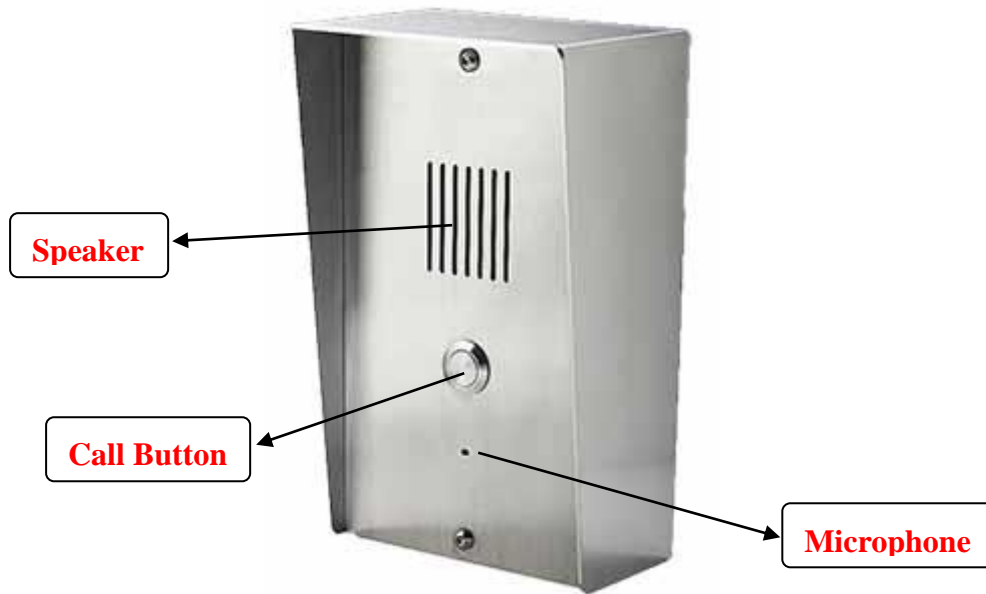


Note:

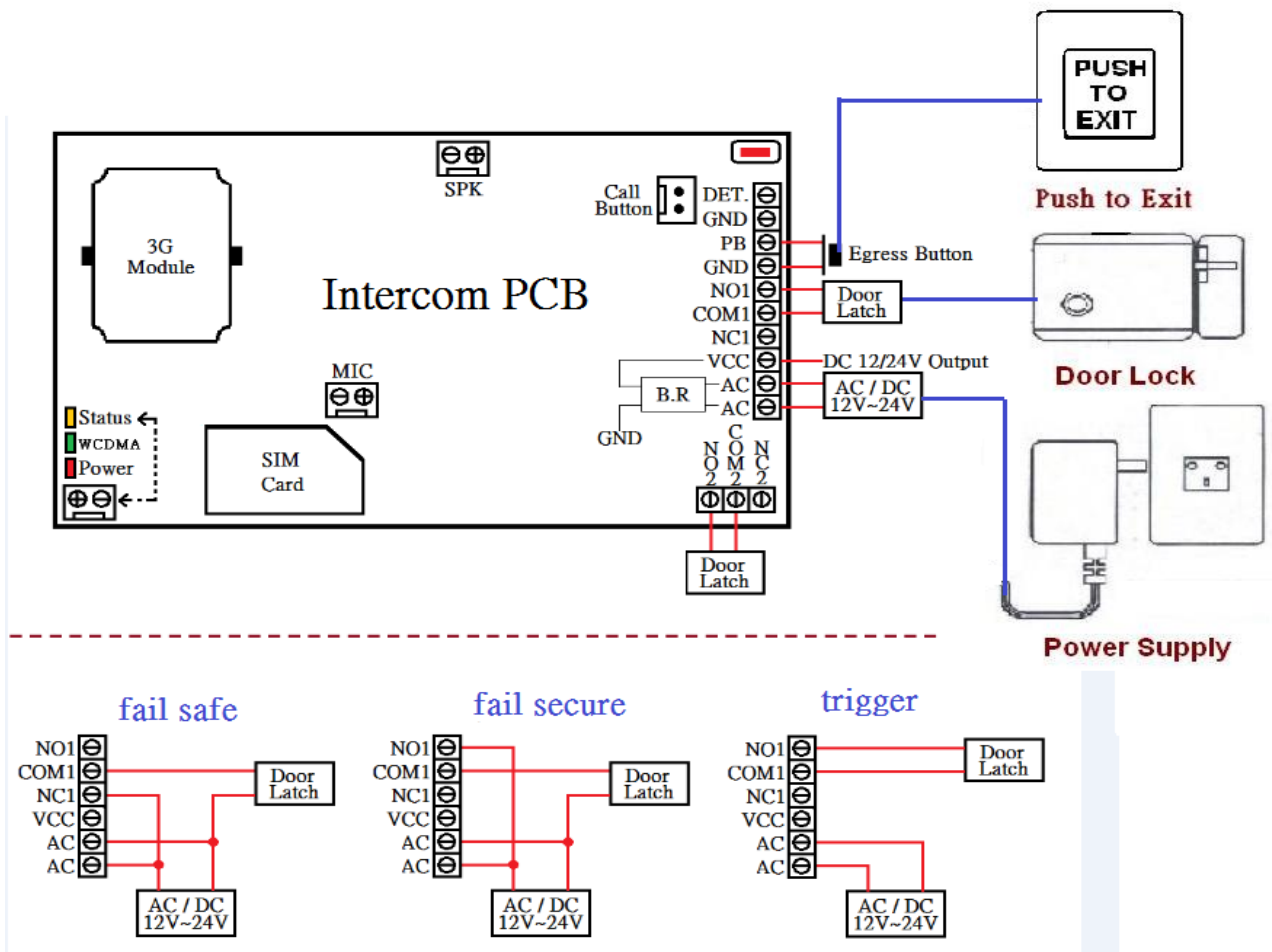
For surface mounting, you will have to remove the plastic enclosure before fitting main station into the stainless steel cabinet.



AN1024 3G Intercom Unit



Wiring Diagram



LED INDICATORS

1. LED "Intercom Status " Indicator

LED	Status
Yellow (standby)	Flashes once per 5 seconds
Yellow (using)	Solid

2. LED "Network "Indicator

LED	Status
Green (ready)	Flashes once per 3 seconds
Green (searching)	Flashes once per second
Green (busy)	Solid

3. LED " Power " Indicator

LED	Status
Red (power on)	Solid
Red (power off)	Off

1. SIM card

Register your SIM card with the network, and check it works in a mobile phone

You MUST remove the PIN request from the SIM before inserting it in the AN1204 3G.

Ensure the power is OFF before inserting the SIM card. Carefully slide the SIM holder in the OPEN direction, insert the SIM, and slide in the CLOSED direction to lock it in place.

2. Antenna

Install the antenna as high as possible on the top of the pillar for best possible reception.

3. Door Lock

Connect an electric door lock to terminals marked "door latch".

4. Power Supply

Connect a 12 volt DC power supply to terminals marked "AC, AC"

The power supply should be capable of supplying a constant current of no less than 1amp.

5. After a final check of wiring , switch on the power

6. Allow 20~30 seconds for the unit to boot up and detect the network. Once successful connection has been made, the unit will sound a confirmation tone and the status LED will begin flashing.

AN1204 3G INTERCOM OPERATION

When the visitor pushes the call button to activate the AN1204 3G ring tone will be heard from the 3G intercom. At the same time connection is established with the phone number that is stored in the AN1204 3G. If the first number is busy or not answered the call can be diverted to the second and the third.. The remote phone answers the call from AN1204 3G and starts conversation with the visitors. During conversation press * on your mobile for door open. The relay switches can also be temporarily or permanently switched on or off by press # and 1.

Enter system menu

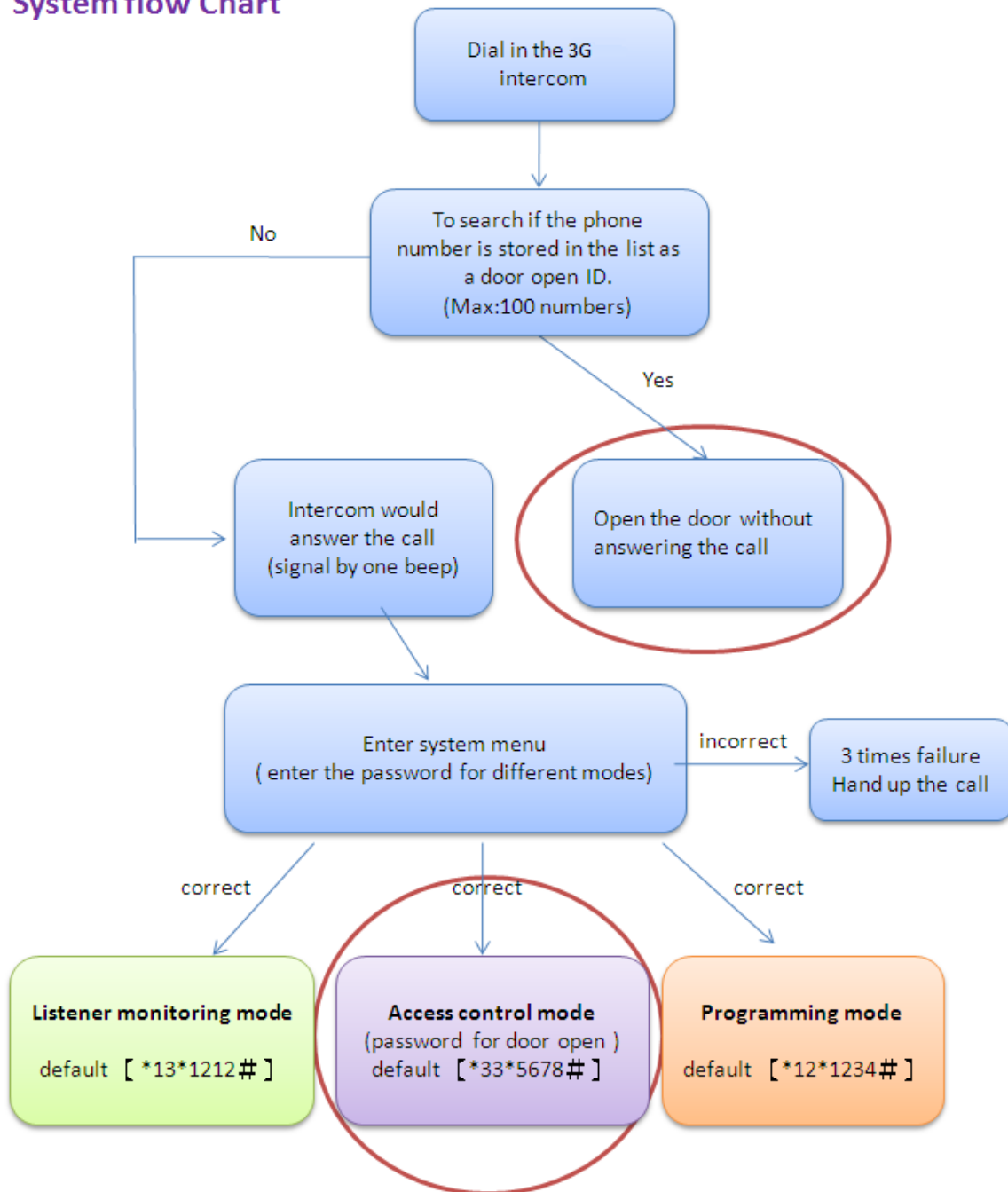
There are three different modes under system menu.

1. Listener monitoring mode
2. Access control mode
3. Programming mode

To gain access to the system menu via dial in, follows these steps:

1. Call the telephone number of the 3G intercom
2. Wait for the intercom to answer and signal by one beep to enter system menu
3. Enter the password of the mode you would like to enter
4. Password correct one beep, password error 3 beeps.
5. 3 times failure attempt on password , hang up the call

System flow Chart



Enter Listener Monitoring Mode

1. Call the telephone number of the 3G intercom
2. This device will then verify your phone number with your predefined numbers.
3. You will hear a “Do” tone to enter listener monitoring mode by pressing [*13*1212 #] where 1212 is the password.
4. You are now in the “listener monitoring mode”.(you can hear the live sound of the intercom’s surrounding environment)

* Under this mode speaker is OFF.(35 # : turn on speaker)

* You can still control the relay output when you are under listener monitoring mode but speaker must be ON status.

Enter Access Control Mode

1. Call the telephone number of the 3G intercom.
2. This device will then verify your phone number with your predefined numbers.
3. You will hear a “Do” tone to enter access control mode by pressing [*33*5678 #] where 5678 is the password.
4. The door will be opened after enter the correct password

*(To open the door by password, if the number is not stored in the access control section)

Enter Programming Mode

1. Call the telephone number of the 3G intercom
2. This device will then verify your phone number with your predefined numbers.
3. You will hear a “Do” tone to enter into programming mode by pressing [*12* 1234 #] where 1234 is the password.
4. You are now in the “programming mode”

Note: At the end of each command there can be one of the two indications:

Successful: a long “beep” tone, failed: three short “beep” tone.

5. To make changes on settings please refer to the user commands.(P15,16)
6. To end programming mode just hang up.

NOTE:

***To be successful in programming, originate a call from a land line and enter the digits slowly or using programming by text message.**

Programming

Programming can be carried out either by dial into the 3G intercom or by text message

(Certain programming feature can only be set up by text message, please refer to user commands P.15)

Programming by text message

Programming by text message is the simplest way to customize the settings of the 3G intercom and add or delete telephone numbers. Simply send texts in the format to the telephone number of the SIM within the 3G intercom.

Note:

1. A Single SMS text messages is limited to 140 characters.
2. You can program many different user command codes in one text message with SMS command format. ***12*1234 # [command Code1] # [command Code 2] # [command Code3] #.....**
3. Each SMS must start with the pass code , default 1234 in the following format ***12*1234 #** Followed immediately by a command.
4. To program a call button numbers DO NOT enter country code, just the complete number as you would dial it.

Example:

Storing a call button phone number (Max 3 numbers) and delete 2&3 phone numbers.(Refer to user commands P.16)

058 57235 (landline number 1)

086 5682554 (mobile number 2)

086 2235644 (mobile number 3)

Command to use: *12*1234#1[Y][phone number]#
Y= number 1, 2 or 3

SMS format: (storing a call button phone numbers)

***12*1234#1105857235#120865682554#130862235644#**

SMS format: (delete 2&3 phone numbers from a call button)

***12*1234#12*#13*#**

User command code CORRECT

SMS format:

***12*1234#1105857235#120865682554#130862235644#**

SMS reply:

1105857235#120865682554#130862235644# OK

User command code ERROR (user command 19 error)

SMS format: ***12*1234#1105857235#190865682554#130862235644#**

SMS reply: **110587235#190865682554# Error**

Programming by dial in

Note: programming dial in can't be used from telephones which are already programmed to open the door when they dial the 3G intercom but you can disable Caller ID display (withhold the number) on the mobile before using.

To gain access to the programming mode via dial in, follows these steps:

Example:

Storing a telephone number for dial in door release

Enter Programming Mode by Pressing.....

*12*1234# (1234 is default password)

A successful pass code will produce a single long beep. A failed attempt will produce 3 short beeps.

You may now program up to 1152 telephone numbers into memory.

Use the following commands to program the unit

- * Insert international country code (1~3 digits): **71 [country code] #**
- * Add a number (up to 1152 numbers):**72 [relay][telephone number] #**
- * Delete a number: **73 [telephone number] #**
- * Delete all numbers: **73*#**

Door /Gate Release (ring in to open)

This 3G intercom also has an extra feature to allow user to gain access from their mobile phone by two methods.

1. Caller ID recognition
2. by access control password mode

1. Caller ID recognition to open

Ring in to open the door for authorized telephone number. It can support for up to 1152 users.

When 3G Intercom receives a call from user, it will check the calling number and if the number is in the list, the 3G Intercom will drop the call and then open the gate / door. The 3G Intercom doesn't answer the call, it simply checks the caller ID, and so it won't cost you anything to open the gate / door.

For Caller ID recognition to open the door or gate you need to program the mobile numbers and country code into the memory before using.

Example:

Ireland Country code: 353 (UK: 44 / USA: 1)

086 5683624 (mobile number 1)

086 5682554 (mobile number 2)

086 2235644 (mobile number 3)

Command to use: *12*1234#71[country code]#72[relay] phone number] #72[relay][phone number] #72[relay][phone number] #.....

SMS format:

*12*1234#71353#7210865683624#7210865682554#7220862235644#

To delete phone numbers of dialing in to open

SMS format: (to delete phone number 1 and 2)

*12*1234#730865683624#730865682554#

SMS format: (to delete all numbers)

*12*1234#73*#

After the numbers are programmed you can also send the text message to check the stored numbers by sending SMS format *21# , then the 3G intercom will reply the phone number list text message.

2. Access control password to open

Dial the SIM card telephone number. The unit will answer the call and you will hear a bleep tone.

To trigger relay 1 by pressing *33*5678#

To hold relay 1 by pressing *34*5678#

To release relay 1 by pressing *35*5678#

To trigger relay 2 by pressing *36*5678#

To hold relay 2 by pressing *37*5678#

To release relay 2 by pressing *38*5678#

*Above operation same as sending SMS commands

*This is for door open option for telephone numbers not stored.

Check 3G signal strength (0~31 levels)

When a request for 3G signal strength SMS is sent to the 3G intercom it will reply with a signal strength code and service provider name. The code will be between 0~31 means the signal level is from poor to best.

Example:

SMS format *20#

SMS reply: Vodafone Signal Level = 31 【Signal is very strong】

Check Relay Status

You can send SMS command code to check relay status.

SMS format *22#

SMS Reply Relay=ON Detect = ON 【Relay=Hold , Detect=GND】

Remark:

Terminal mark " Detect" (see wiring diagram) is for you to connect a door reed switch. The gates would have a reed switch wired through the " DET" input to ground. It's used by the user to check if the gates are open or closed.

Administrator Number

Once the administrator number is stored, the unit will only accept programming from this number and only via SMS programming.

Example:

Program a mobile number as an administrator number via SMS

Mobile number: 0865682554

Command to use *12*1234#74 [Admin number]#

SMS format *12*1234#740865682554#

To delete the Admin number *12*1234#74*#

Check The Log Of Dial In And Dial Out Numbers Via E-mail Or SMS

This system allows you to save dial in numbers log and will then automatically send the record via e-mail or SMS as your request.

There is a list of commands you need and examples to guide you on the settings for this feature.

Please setup following required parameters and commands before you can use it.

NOTE: G-mail does not support this feature.

o.	Function	SMS command codes
1	Auto sending a log of dial in numbers	*12*1234#83[N]# N= 0 (sending when it reaches 100 numbers)- default N=1 (sending when it reaches 200 numbers, Max)
Sending record when it reaches 200 numbers. / command code example: *12*1234#831#		
2	Way of sending a log of dial in numbers via e-mail or SMS	*12*1234#84[N]# N=0 (no saving /sending record) N=1 (via SMS, 4 numbers limited/SMS) N=2 (via E-mail)
Sending record via email / command code example: *12*1234#842#		
3	GPRS parameters setting	*40*1234#APN, auth_type,user name,password# auth_type: 0= none / 1= PAP / 2= CHAP
Command code <u>*40*1234#</u> <u>internet,0, #</u> (auth_type = 0 (no need for username and password) Example: <u>pass code</u> <u>APN</u> <u>auth_type = 0 (none)</u>		
4	E-mail parameters setting (Doesn't support Gmail)	*41*1234#SMTP server,port,user name, password, e-mail address, e-mail sender name#
Command code <u>*41*1234#</u> <u>mail.smtp.com,25,</u> <u>username,</u> <u>5826,</u> <u>email@provider.com,</u> <u>sender#</u> Example : <u>pass code</u> <u>SMTP server</u> <u>Port</u> <u>user name</u> <u>PD</u> <u>email address</u> <u>sender name</u>		
5	Recipient & Carbon copy settings	*42*1234# recipient e-mail address, recipient name, carbon copy e-mail address, carbon copy name#
Commande code example: <u>*42*1234#</u> <u>recipientname@emailaddr.com,</u> <u>REALNAME,</u> <u>ccname@emailaddr.com,</u> <u>CCNAME#</u> (complete string) <u>pass code</u> <u>recipient email address</u> <u>recipient</u> <u>carbon copy email address</u> <u>carbon copy</u> <u>"to" name</u> <u>"to" name</u> <u>*42*1234#</u> <u>recipientname@emailaddr.com,</u> <u>ccname@emailaddr.com,</u> <u>#</u> (Real names can be omitted) <u>pass code</u> <u>recipient email address</u> <u>carbon copy email address</u> <u>*42*1234#</u> <u>recipientname@emailaddr.com,</u> <u>REALNAME,</u> <u>#</u> (Carbon copy can be omitted) <u>pass code</u> <u>recipient email address</u> <u>recipient</u> <u>"to" name</u>		

No.	Function	SMS command codes
6	E-mail subject setting	*43*1234# e-mail subject#
<p style="text-align: center;"><u>*43*1234# dial in numbers record#</u></p> <p>Command code Example: pass code email subject</p>		
7	To immediately send current dial in numbers log via email or SMS	*44*1234# SMS reply: successful or failed
8	Check parameters setting	*4[N]*1234# N=0 (reply GPRS parameters) N=1 (reply e-mail parameters) N=2 (reply recipient & carbon copy) N=3 (reply e-mail subject)
Check GPRS parameters setting / Command code example: *40*1234#		
9	Mobile number for receiving a log of dial in numbers via SMS	*12*1234#85[mobile number.]#
10	Delete mobile number for receiving a log of dial in numbers via SMS	*12*1234#85*#
11	SIM phone number used in intercom for Clock date and time correction	*12*1234#86[SIM phone number used in the intercom]#
12	To delete SIM phone number used in the intercom for Clock date and time correction	*12*1234#86*#
<p>Remark: why do you need to setup the number for system time clock date and time correction?</p> <p>This device has a time clock and supports automatically updating their date and time via NITZ information from the network. In case some of the networks are not available for NITZ information, we strongly suggest to setup this clock date and time correction. When the device detects NITZ information is not available from the network, it will automatically send a command to itself via the SIM card used in the intercom for time correction which will keep your “dial in numbers log” with correct date and time.</p>		

Log Example:

```
001@13/02/23,13:16:31- I 0982384664
002@13/02/23,13:16:43- I 0982384663
003@13/02/23,13:16:53- O 0982437053
004@13/02/23,13:17:14- O 0926251767
005@13/02/23,13:17:46- I 0982384663
006@13/02/23,13:17:59- I 0982384664
007@13/02/23,13:18:06- O 0926251767
008@13/02/23,13:18:25- O 0982437053
```

No. Date Time Call direction & Phone Number

How to program checking a log of dial in numbers via SMS

There are 3 programming codes you will need to make this feature work

1	Way of sending a log of dial in numbers via e-mail or SMS	*12*1234#84[N]# N=0 (no saving /sending record) N=1 (via SMS, 4 numbers limited /SMS) N=2 (via E-mail)
2	Mobile number for receiving a log of dial in numbers via SMS	*12*1234#85[mobile Number]#
3	SIM phone number used in intercom for Clock date and time correction	*12*1234#86[SIM phone number used in the intercom]#

You can program many different user command codes in a single text message with SMS command format. *12*1234 # [command Code1] # [command Code 2] # [command Code3] #.....

Example:

Mobile number for receiving a log 0907967223

SIM phone number used in opener 0948778458

*12*1234#841#850907967223#860948778458#

Send *44*1234# to check log

Replied log information via SMS example:

001@13/02/23,13:16:31- I0982384664
 002@13/02/23,13:16:43- I 0982384663
 003@13/02/23,13:16:53- I 0982437053
 004@13/02/23,13:17:14- I0926251767 N or E

I: Dial IN numbers

N: Next text message

E: End text message

To gain access to the different modes and control relay (by dial in)

No.	Function	command	Description	Default
1	Enter Programming Mode	*12* [password] #	Programming by calling	1234
2	Enter Monitoring Mode	*13* [password] #	To hear the surroundings where the intercom installed	1212
3	Enter Access control Mode (Trigger relay)	*33* [password] #	Password mode access option	5678
4	Hold Relay	*34* [password] #	To hold relay to keep door opened	5678
5	Release Relay	*35* [password] #	To release relay for door close	5678
6	Trigger relay 2	*36* [password] #	Password mode access option	5678
7	Hold Relay 2	*37* [password] #	To hold relay to keep door opened	5678
8	Release Relay 2	*38* [password] #	To release relay for door close	5678

User commands to check system info & control relay via SMS

No.	Function	Command	Reply
1	check signal strength	*20#	Signal Level 0~31 from poor to best Service provide name, network
2	Check stored numbers	*21#	O [number]...,I [number].....E (N) O : call button numbers list I : dial in to open numbers list E : End N : Next SMS
3	Check relay status	*22#	Relay [status],Detect [status] Status: ON / OFF
4	Trigger relay	*33* [password] #	No reply (default password:5678) (Latch on when relay is on hold status)
5	Hold relay	*34* [password] #	No reply (default password:5678)
6	Release relay	*35* [password] #	No reply (default password:5678)
9	Trigger relay 2	*36* [password] #	No reply (default :5678) (Latch on when relay is on hold status)
10	Hold relay 2	*37* [password] #	No reply (default :5678)
11	Release relay 2	*38* [password] #	No reply (default :5678)
	● SMS data error	(Only 0~9 、 * 、 # are available)	SMS Data Error
	● Function code error		Function Code Error

User commands table

You can program many different user command codes in one text message with SMS command format. *12*1234 # [command Code1] # [command Code 2] # [command Code3] #.....

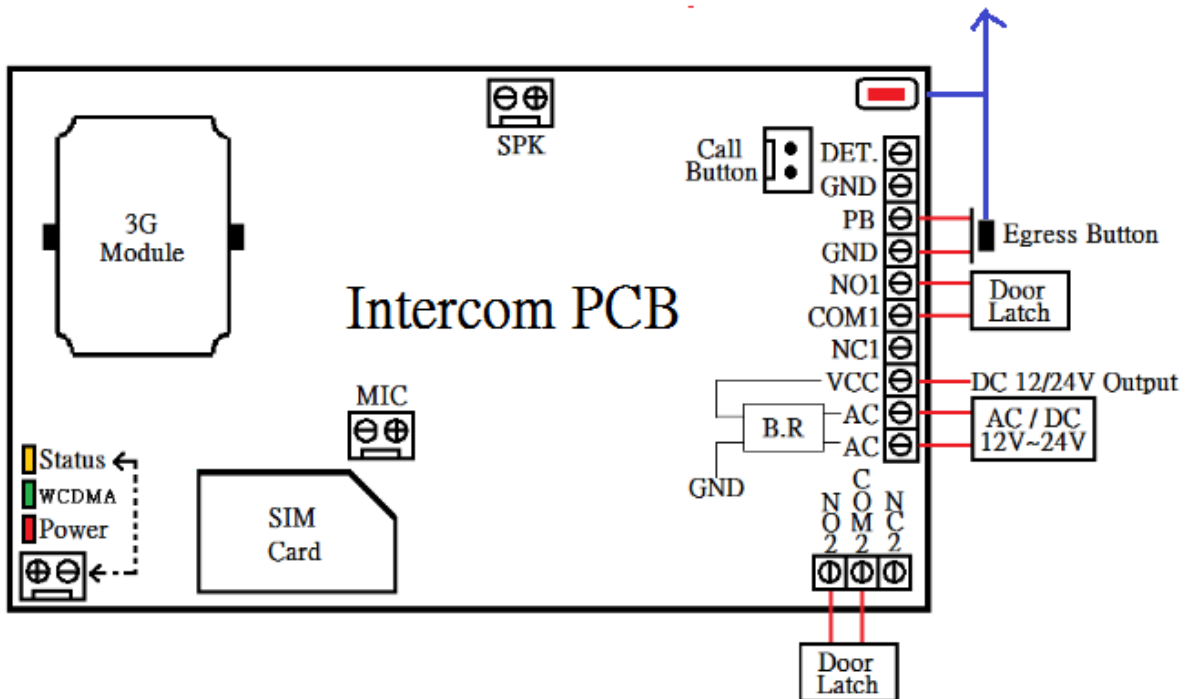
No.	Feature	Command	Description	Default
1	Change programming Password	01 [password] #	password:4 digit codes	1234
2	Change access control password	02 [password] #	password:4 digit codes	5678
3	Change monitoring mode password	03 [password] #	password:4 digit codes	1212
4	Store a call button phone number	1 [Y] [phone number] #	Y= phone number 1,2 or 3 Max 3 phone numbers phone No.:3~15 digit codes	None
5	Delete a call button Phone number	1[Y]*#	Y= phone number 1,2 or 3 phone No.:3~15 digit codes	None
6	Speaker Volume	3 [speaker volume] #	speaker volume level:0 ~ 4	3
7	Microphone Volume	4 [microphone volume] #	microphone volume level:0 ~ 4	3
8	Relay Time	51 [relay time] #	relay time: 1~9999 sec	1
9	Relay 2 Time	50 [relay 2 time] #	relay time: 1~9999 sec	1
10	Call no answer time and divert to next number	52 [no answer time] #	No answer time :10~99 sec	20 sec
11	Max call Time	53 [max call time] #	Max call time:005~999 sec	060 sec
12	Max monitoring time	55[duration time] #	duration time:00 ~ 60 mins 00 (no limit)	10 mins
13	Change relay trigger code	61 [X] #	X=0~9 / * / #	*
14	Change rely hold code	63 [X] #	X=0~9 / * / #	#
15	Change relay release code	64 [X] #	X=0~9 / * / #	1
16	Ring in to open the door (Max: 1152 numbers)	71 [country code] # 72[relay] [phone number] # 73 [phone number] # 73*#	Country code:1~3 digit codes Relay: 1 or 2 Delete phone number Delete all phone numbers	1
17	Add administrator phone number	74 [admin number] #	admin number: 3~15 digit codes (no number no restriction)	None
18	Del administrator phone number	74*#	delete administrator phone number	None

19	Disable, enable SMS reply notice	894+X#	X=0 (disable) X=1 (enable) Disable , enable SMS replay Relay 1 trigger, relay 2 trigger Relay 1 hold, relay 2 hold Relay 1 release, relay 2 release	0
20	Disable,enable Call button LED flashing	896+X#	X=0 (disable) X=1 (enable)	0
21	Dial tone volume	898+X#	X=1~4 (levels)	3
22	Reset	999#	reset default	None

How To Reset The Hardware When You Forget your Password

Reset the hardware

- 1.first keep reset button (RED) pressed
- 2.then press engress button
- 3.release all buttons after you hearing continuous "Dou" tones
- 4.hardware reset finished



Quick programming via SMS

Program a call button phone number. (Max 3 numbers)

Note: To program a call button numbers DO NOT enter country code, just the complete number as you would dial it.

Command to use: *12*1234#1[Y][phone number]#

Y= number 1, 2 or 3

Examples:

058 57235 (landline number 1)

086 5682554 (mobile number 2)

086 2235644 (mobile number 3)

SMS format: *12*1234#1105857235#120865682554#130862235644#

Program a phone number for dial in door release (Max 100 numbers)

Note: Program a phone number for dial in door release you NEED TO enter country code

Command to use: *12*1234#71[country code]#72[relay] phone number] #72[relay][phone number] #72[relay][phone number] #.....

Example:

Australian Country code: 63 (UK: 44 / USA: 1 / NZ: 64 / Ireland: 353)

086 5683624 (mobile number 1)

086 5682554 (mobile number 2)

086 2235644 (mobile number 3)

SMS format: *12*1234#7163#7210865683624#7210865682554#7220862235644#

Operation

When intercom calling your phone and you have answered the call...

Press * to open

Press # to hold open

Press 1 to release again.

Sending SMS commands

*33*5678# (momentary trigger relay 1)

*34*5678# (hold relay 1)

*35*5678# (release relay 1)

*36*5678# (momentary trigger relay 2)

*37*5678# (hold relay 2)

*38*5678# (release relay 2)

*20# (check reception level of intercom)

*21# (check stored number. The unit will reply with list of stored numbers. I= dial in / O= dial out)

*22# (check gate / door status)

Troubleshooting (Q &A)

.Q. The unit powers up but there is a beeping from the door station.

A. This means the unit is not able to detect the network for some reason.

-Check the SIM card is activated and has calling credit.

-Power off the unit, remove the SIM and check it in a mobile phone to verify it can make a call.

-Check the SIM does not ask for a PIN code when put in a phone. If it does, then disable the PIN code request.

-Check the SIM is a standard 3G SIM. If you are unsure, contact your SIM card provider to verify.

Frequency of operation should be:

Telstra/Voda City – 850/2100MHz or Optus/Voda Country – 900/2100 MHz

-Check the reception is good. Poor reception is not sufficient.

-Check the antenna has been mounted as high as possible, not near large metal objects, or wet green shrubs etc.

-Check the antenna connection. Visually inspect that the centre pin inside the antenna is intact, and has not been pushed back inside the fitting.

Q. The unit calls the first number, but there is not enough time to answer before it diverts to the next number.

A. Increase the no answer time as per programming instructions.

Q. The unit calls the first number but voicemail comes on before it can ring the second number.

A. Decrease the no answer time as per programming instructions.

Q. The caller ID part does not work.

A. Be sure to program the caller ID part under 72 feature. If your number is a private or number withheld, then it will not work.

Even if you have already programmed a number to receive a call from the intercom, if you also want that number to have caller ID access, it must be programmed under the 72 feature also.

Ensure the number is entered as you would normally dial it from another phone.

Q. There is no audio from the gate, but the person at the gate can hear ok.

A. This can be due to low reception.

-Check reception level by *20#.

-Change SIM card if necessary to another network which may have better coverage.

-Purchase a high gain antenna.

Q. The audio quality that can be heard on the remote telephone is poor or humming (buzzing).

A. A small amount of 3G buzz can be considered normal on 3G intercoms, but not so much that causes inability to hear the person speaking. This can be caused by the 3G antenna being mounted too close to the speech panel or not mounted high enough.

-Try earthing the speech panel chassis to 0V of the power supply.

-This is also a symptom of poor reception. Try above steps on checking and improving reception.

Q. The * or # key does not work when the intercom calls a phone.

A. Check if you can hear the relay clicking at the gate when the * or # key is pressed during a call. If it can be heard, then the system is working, check wiring between the relay and the lock or gate panel. If the relays do not make a clicking sound, then check this feature on a different mobile cell phone or landline. If it works on a different phone, check the settings on the phone in question under DTMF tones. Failure of DTMF tones to operate correctly is also a symptom of low reception. Check steps above on improving reception. Try pressing the buttons longer when attempting to activate the gates or door.

SPECIFICATION:

Operating Voltage	12 to 24 Volt AC/DC
Operating Current	Maximum 250 mA, Typically 55mA
3G / WCDMA Module	Cinterion / Simcom
3G / WCDMA Frequency	3G 850/900/1800/1900 MHz, WCDMA 850/2100 or 900/2100 MHz
Physical size	Face plate: 170 x 100 mm, Stainless cabinet: 174 x 113 x 65 mm
Length of antenna	3 meters cable
Humidity	Less than 80% RH
Operating Temperature	-20°C to 50°C



Aristel Networks Pty Ltd



www.aristel.com.au

ph. (03) 8542 – 2300

fax (03) 9544 - 3299